

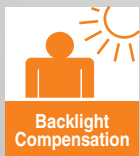
# ULTRA HIGH DEFINITION 4MP IP DOME CAMERA

## VP-NC5114D-AZIR1X1 IR NIGHT VISION SMART VARIFOCAL ZOOM CAMERA



### FEATURES

- Ultra high definition 4MP (2688 × 1520 ) resolution
- Triple-Stream(H.265+,H.265,H.264+/H.264/MJPEG) supported
- 2.8mm to 12mm Motorized Varifocal Lens
- Onboard SD card slot up to 128GB support
- Inbuilt 120dB True WDR , 3D DNR, ROI, HLC & BLC functions
- Inbuilt Smart analytics for Line crossing detection, intrusion detection,Face Detection
- IP67 Weather Proof Indoor Enclosure



## TECHNICAL SPECIFICATIONS

### VP-NC5114D-AZIR1X1

Camera	Image sensor	1/2.5" Progressive Scan CMOS Sensor
	Signal System	PAL/NTSC
	Effective Pixels	2688 (H) × 1520 (V)
	Minimum Illumination	Color: 0.01 Lux @ (F1.2, AGC ON), 0.018 Lux @ (F1.6, AGC ON), 0 Lux with IR
	Electronic Shutter Speed	1/3 s to 1/100,000 s
	Gain Control	Auto
	Signal to Noise	> 52 dB
Lens	Lens Type	2.8mm to 12mm Motorized Varifocal Lens
	Lens Mount	Φ14
	Focus	Auto
	Aperture	F1.4
Day/Night Functionality	Day & Night	True Day & Night with ICR
	IR Cut	High performance Mechanical IR Cut Filter with auto switch
	IR Source	Inbuilt Smart IR with intensity control
	IR Range	Up to 30 Mtr.
Compression	Video compression	H.265+/H.265/H.264+ /H.264 / MJPEG
	H.265 codec profile	Main profile
	Video Bit Rate	32 Kbps to 16 Mbps
	Audio Compression	G.711/G.722.1/G.726/MP2L2/PCM
	Audio Bit Rate	64Kbps(G.711)/16Kbps(G.722.1)/16Kbps(G.726)/32-192Kbps(MP2L2)
Resolution and Frame Rate	Max. Resolution	2688 × 1520
	Frame rate	50Hz: 25 fps (2688 × 1520, 2304 × 1296, 1920 × 1080) 60Hz: 30 fps (2688 × 1520, 2304 × 1296, 1920 × 1080)
	Third Stream	50Hz: 25 fps (1280 × 720, 640 × 360, 352 × 288) 60Hz: 30 fps (1280 × 720, 640 × 360, 352 × 240)
Operational Features	Wide Dynamic Range (WDR)	120dB
	Backlight compensation	Supported
	DNR	Inbuilt 3D DNR (Digital Noise Reduction) circuit
	Region of Interest	Supported
	HLC	Supported
	Image settings	Rotate mode, saturation, brightness, contrast, sharpness adjustable by client software or web browser
	Security	One-key Reset, Anti-Flicker, Heartbeat, Mirror, Password Protection, Privacy Mask, Watermark, IP Address Filter
	Onboard Storage	Built-in Micro SD / SDHC / SDXC card slot, up to 128 GB
	Alarm trigger	Video tampering, Motion detection, Network Disconnected, IP Address Conflict, Illegal Login, HDD full, HDD error
Network & Remote Monitoring	Protocols	TCP/IP, ICMP, HTTP, HTTPS, FTP, DHCP, DNS, DDNS, RTP, RTSP, RTCP, PPPoE, NTP, UPnP, SMTP, SNMP, IGMP, 802.1X, QoS, IPv6, Bonjour
	System compatibility	ONVIF (PROFILE S, PROFILE G), ISAPI

## TECHNICAL SPECIFICATIONS

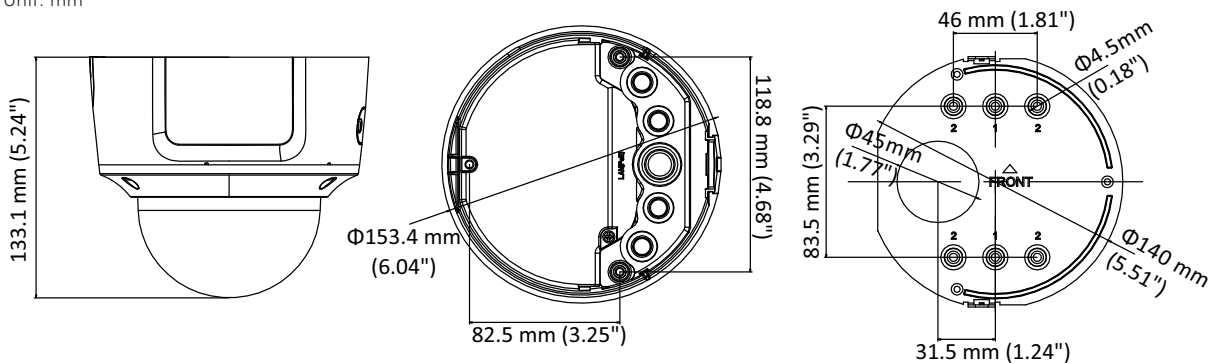
### VP-NC5114D-AZIR1X1

	CMS	Full function CMS ( Central monitoring software)
	Mobile Client Application	Supports android and iOS APP for Smart phone and tablets
	Bandwidth control	VBR (Automatic) and CBR (Manual) supported
	Network Storage	Local storage: Built-in Micro SD / SDHC / SDXC card slot, up to 128 GB NAS (NFS,SMB/CIFS), ANR
Analytics Feature	Smart Features	Line crossing detection, intrusion detection,unattended baggage detection,object removal detection,Face Detection,Scene change detection
Interface	Ethernet	1 RJ45 10M/100M self-adaptive Ethernet port
	Power Input	Standard DC Jack
	Audio Input / Output	1/1
	Alarm Input / Output	1/1
	Video Output	1Vp-p composite output (75 Ω/BNC) (For adjustment only)
Electrical	Power Requirement	12 VDC $\pm$ 25% , PoE (802.3at)
	Power Consumption	Max 11W
Environmental	Enclosure	IP67 Weather Proof Indoor enclosure
	Operating Temperature	-30°C to + 60°C
	Operating Humidity	95% or less (non-condensing)
	Impact Protection	Ik10
Mechanical	Color	White
	Dimensions	$\Phi$ 153.4 x 133.1 mm
	Weight	1287 g
Certifications	Certifications	UL, CE, FCC, RoHS

\*Exact products and specifications shown may vary by geographic region and are subject to change without notice. Product image, weights and measurements are approximate and may vary.

## DIMENSIONS

Unit: mm



## VANTAGE INTEGRATED SECURITY SOLUTIONS LIMITED

B3, Bredon House 321, Tenttenhall Road Tettenhall, Wolverhampton

West Midlands, WV6 0JZ United Kingdom

Ph: +44-1902793383, Email: sales@vantagesecurity.com

[www.vantagesecurity.com](http://www.vantagesecurity.com)

(AN ISO 9001 : 2008, ISO14001 : 2004 CERTIFIED COMPANY)

