

# HIGH DEFINITION 8MP PANORAMIC DOME CAMERA

# VP-NC6258PU-AF6IR1X1 180° DOME CAMERA



## FEATURES

High Definition 8MP (4096×1800) resolution

1/2.8" Progressive Scan CMOS Sensor

Horizontal angle of view: 180°, Vertical angle of view: 86.7°

Inbuilt WDR, 3D DNR, BLC, HLC, ROI functions

Inbuilt 4 × IR LEDs up to 20 mtrs IR range

Multiple ePTZ streams with preset and patrol function

Support onboard storage, up to 128GB



## TECHNICAL SPECIFICATIONS

### VP-NC6258PU-AF6IR1X1

Camera	Image sensor	1/2.8" Progressive Scan CMOS Sensor	
	Signal System	PAL/NTSC	
	Effective Pixels	4096(H) x 1800(V)	
	Minimum Illumination	Color: 0.002 Lux @ (F1.2, AGC ON), 0.007Lux @ (F1.8, AGC ON), B/W: 0.0008Lux @(F1.2, AGC ON), 0.002Lux @(F1.8, AGC ON), 0 Lux with IR	
	Electronic Shutter Speed	1/25 s to 1/100,000 s	
	Gain Control	Auto	
	Signal to Noise	> 52dB	
Lens	Lens Type	4 x 4 mm lens	
	Angle of View	Horizontal angle of view: 180°, Vertical angle of view: 86.7°	
	Lens Mount	M12	
	Aperture	F1.8	
Compression	Video compression	H.265+/H.265/H.264+/H.264/MJPEG	
	H.265 codec profile	Main profile	
	Video Bit Rate	32 Kbps ~ 16Mbps	
Resolution and Frame Rate	Max. Resolution	Panorama mode- 4096 x 1800 Original mode- 2160 x 3840	
	Frame rate	Panorama mode	50Hz: 25fps (4096 x 1800, 4096 x 1440, 4096 x 1080) 60Hz: 30fps (4096 x 1800, 4096 x 1440, 4096 x 1080)
		Original mode	50Hz: 25fps (2160 x 3840, 1080 x 1920) 60Hz: 30fps (2160 x 3840, 1080 x 1920)
Operational Features	Wide Dynamic Range	Supported	
	Backlight compensation	Supported	
	DNR	Inbuilt 3D DNR (Digital Noise Reduction) circuit	
	High Light Compensation	Supported	
	Codec streaming capability	Dual	
	Image settings	Saturation, brightness, contrast, sharpness, AGC and white balance adjustable by client software or web browser	
	Security	One-key reset, anti-flicker, heartbeat, mirror, password protection, privacy mask, watermark, IP address filter	
	ROI	Supported	
	Picture Overlay	128 x 128 24-bit BMP, area optional	
	Alarm trigger	Motion detection, video tampering, network disconnected, IP address conflict, illegal login, HDD full,HDD error, Alarm input, Alarm output	
Network & Remote Monitoring	Protocols	TCP/IP, ICMP, HTTP, HTTPS, FTP, DHCP, DNS, DDNS, RTP, RTSP, RTCP, PPPoE, NTP, UPnP, SMTP, SNMP,IGMP, 802.1X, QoS, IPv6, UDP, Bonjour	
	System compatibility	ONVIF (PROFILE S, PROFILE G), ISAPI	
	CMS	Full function CMS ( Central monitoring software)	
	Mobile Client Application	Supports android and iOS APP for Smart phone and tablets	
	Onboard Storage	Built-in Micro SD/SDHC/SDXC card slot, up to 128 GB,	
	Network Storage	NAS (NFS,SMB/CIFS), ANR	
Interface	Ethernet	1 x RJ45 10/100 Ethernet port	
	Interface Type	FC interface	
	Optical Type	Single mode, single fiber	
	Input/output Wavelength	Tx1310nm/1.25G, Rx1550nm/1.25G	
	Transmission Distance	20 km	

## TECHNICAL SPECIFICATIONS

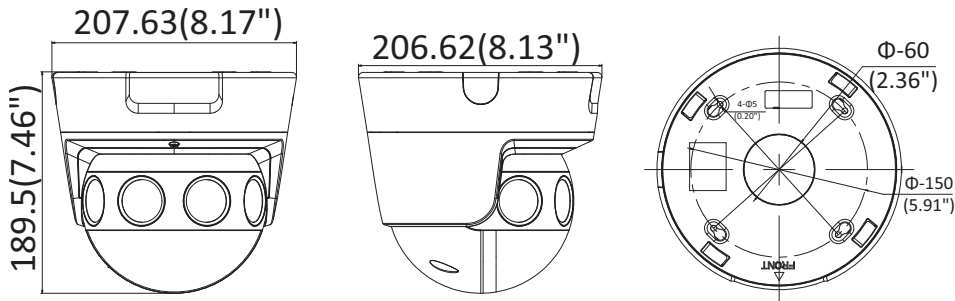
### VP-NC6258PU-AF6IR1X1

Electrical	Power Requirement	12 VDC $\pm$ 20%, PoE: 802.3at
	Power Consumption	Max. 18W
Environmental	Enclosure	IP67 Lightning Protection, Surge Protection
	Operating Temperature	-40°C to + 60°C
	Operating Humidity	95% or less (non-condensing)
Mechanical	Color	Gray and Black
	Dimensions	190 x 207 x 208 mm
	Weight	3500 g
Certifications	Certifications	UL, CE, FCC, RoHS

\*Exact products and specifications shown may vary by geographic region and are subject to change without notice. Product image, weights and measurements are approximate and may vary.

## DIMENSIONS

Unit: mm



## VANTAGE INTEGRATED SECURITY SOLUTIONS LIMITED

B3, Bredon House 321, Tenttenhall Road Tettenhall, Wolverhampton

West Midlands, WV6 0JZ United Kingdom

Ph:+44-1902793383, Email: sales@vantagesecurity.com

[www.vantagesecurity.com](http://www.vantagesecurity.com)

(AN ISO 9001 : 2008, ISO14001 : 2004 CERTIFIED COMPANY)

