

THERMAL IMAGING CAMERA

VP-NC8904P-AZ50THI1 BI-SPECTRUM LONG RANGE PTZ CAMERA



FEATURES

Dual imaging modes supported with integrated thermal and regular visual cameras

MCT cooled IRFPA detector thermal image sensor with 30-660mm continuous zoom lens

640×512 VGA thermal resolution for clearer imaging of distant objects

1/1.8" progressive scan CMOS sensor with 50X motorized zoom lens

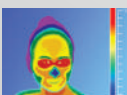
Full HD visual camera with high resolution 2688×1520 (4MP) imaging

Integrated ±0.01° high-precision Pan tilt, 30°/s high rotation speed, support a variety of scanning modes and target tracking

Built-in intelligent alarm function based on system anomalies and video content analytics – intrusion & line cross detection

Waterproof IP66 rated enclosure with wind resistant design

Anti-corrosion coated for marine or coastal application (optional)



Thermal Imaging



1/1.8" Progressive Scan CMOS Sensor



WDR



IP66 Weather Proof

TECHNICAL SPECIFICATIONS

VP-NC8904P-AZ50TH1

Thermal Camera Parameter	Image Sensor	MCT cooled IRFPA detectors
	Pixels	640x512
	Pixel Pitch	15 μm
	Spectral Range	3.7 ~ 4.8 um
	Thermal Sensitivity NETD	≤25mK
	Focal Length	30~660mm
	Focus Mode	Auto/Manual
	FOV	18.2x14.6° ~ 0.9°x0.7°
	Aperture	F4.0
	Spatial Resolution	0.5 ~ 0.023mrad
	Color Palettes	18 modes selectable such as Blackhot / Whitehot / Rainbow,etc.
Visual Camera	Image Sensor	1/1.8" Progressive scan 4MP CMOS sensor
	Effective Resolution	2688 (H)x1520 (V)
	Focal Length	6 ~ 300mm 50xoptical zoom
	Focus Mode	Auto /Manual /One-shot auto
	FOV	Horizontal : 62° ~ 1.6°
	Min.Illumination	Color : 0.005Lux/F1.4 B/W : 0.0005Lux/F1.4
	WDR	Supported
	Day /Night	Manual/Auto
PTZ	DNR	3D NR
	Pan Range	360° continuous rotating
	Pan Speed	0.01° ~ 30°/s
	Tilt Range	-90° ~ +90°
	Tilt Speed	0.01° ~ 15°/s
	Preset	256
	Preset Accuracy	±0.01°
	Patrol Scan	8, up to 255 presets per patrol
	Pattern Scan	4
	Linear Scan	4
	Panorama Scan	1
	3D Positioning	Supported
	Power Off Memory	Supported
	Tele Speed Setup	Speed adaptation to zoom ratio
	Position Setup	Support, configurable in horizontal/vertical
	Privacy Mask	Supported
	Park	Preset/Pattern Scan/Patrol Scan/Linear Scan/Panorama Scan
Anti-burn	Supported	
Remote Power off Reboot	Supported	
Network	Protocols	TCP/IP,UDP,ICMP,HTTP,HTTPS,FTP,DHCP,DNS,RTP,RTSP,RTCP,IGMP,SMTP,NTP,QoS
	System Compatibility	ONVIF/SDK
	Simultaneous live view	Up to 20 channels
	User Management	Up to 20 users, 2 levels: Administrator and User
	Web Browser	IE8+,multiple languages

TECHNICAL SPECIFICATIONS

VP-NC8904P-AZ50TH11

Video	Max.Resolution	2688×1520 (Visual) &640×512 (Thermal)
	Image Format	JPEG
	Audio Compression	G.711A/G.711Mu/PCM/AAC/MPEG2-Layer2
	Video Compression	H.264/H.265/MJPEG
Frame Rate	Main Stream	Visual: 50Hz:25fps(2688×1520,1920×1080,1280×720) 60Hz:30fps(2688×1520,1920×1080,1280×720) Thermal: 50Hz:25fps(640×512); 60Hz:30fps(640×512)
	Sub Stream	Visual: 50Hz:25fps(1280×720), 25fps(704×576); 60Hz:30fps(1280×720), 30fps(704×480); Thermal: 50Hz:25fps(640×512) ; 60Hz:30fps(640×512) ;
Smart Function	Fire Detection	Supported
	Zoom Linkage	Supported
	Smart Record	Alarm trigger recording, disconnection trigger recording (continue transmission after connection)
	Smart Alarm	Support alarm trigger of network disconnection, IP address conflict, full memory, memory error, illegal access and abnormal detection
	Smart Detecting	Support smart video analysis such as line intrusion, cross border, and region intrusion
	Alarm Linkage	Recording/capture/sending mail/PTZ linkage/alarm output
Interface	Ethernet	RJ45 self-adaptive 10M/100M ethernet port
	Audio Interface	1channel input, 1 channel output
	Alarm Interface	7-channel input,2-channel output
	Storage Interface	Supports Micro SD card (Max.256G), hot swap
	Communication Interface	1-ch RS485, support Pelco protocols
General	Power Supply	DC 48V
	Power Consumption	Max.200W
	Operating Temperature	-40°C to + 70°C
	Operating Humidity	<90% RH or less (non-condensing)
	Ingress Protection	IP66,TVS 6000V Lightning Protection, Surge Protection and Voltage Transient Protection
	Power Protection	Supports protection on overvoltage, undervoltage and reverse connection
	Dimensions	746× 748× 437mm (W×H ×L)
Weight	42kg	
Certificates	Certificate	CE, RoHS

*Exact products and specifications shown may vary by geographic region and are subject to change without notice. Weights and measurements are approximate and may vary.

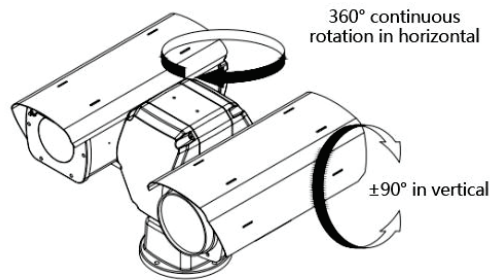
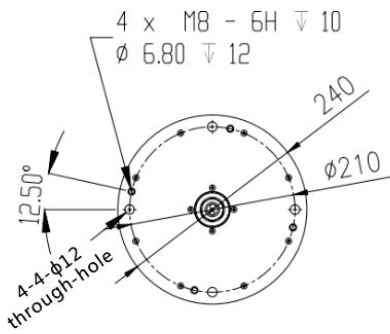
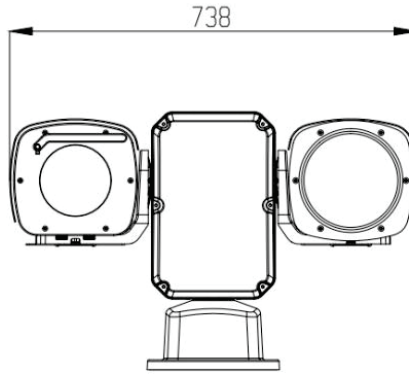
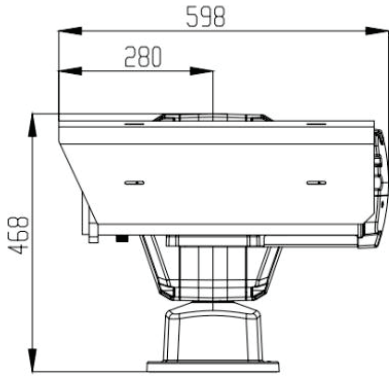
**The recommended distance of detecting, recognition and identification for human (1.8×0.5m) and vehicles (1.4×4.0m) are as follows:
DD stands for Detecting Distance; RD stands for Recognition Distance; ID stands for identification Distance.**

Lens	DD (Vehicle)	DD (Human)	RD (Vehicle)	RD (Human)	ID (Vehicle)	ID (Human)
660mm	67.5km	22.0km	17.9km	5.5km	8.4km	2.8km

TECHNICAL SPECIFICATIONS

VP-NC8904P-AZ50TH1

DIMENSIONS:



The turning radius is about 470mm

VANTAGE INTEGRATED SECURITY SOLUTIONS LIMITED

B3, Bredon House 321, Tenttenhall Road Tettenhall, Wolverhampton

West Midlands, WV6 0JZ United Kingdom

Ph:+44-1902793383, Email: sales@vantagesecurity.com

www.vantagesecurity.com

(AN ISO 9001 : 2008, ISO14001 : 2004 CERTIFIED COMPANY)

