

FULL HIGH DEFINITION 4MP IP BULLET CAMERA

VP-NC91004B-AF3WLT1 IR NIGHT VISION FULL COLOR FIXED NETWORK CAMERA



FEATURES

Full high definition 4MP(2688 x 1520) resolution

1/1.79" progressive scan CMOS sensor

24/7 full color imaging

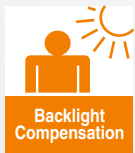
High performance IR cut mechanical filter for true day & night vision

Inbuilt 120dB WDR, 3D DNR, HLC, BLC & ROI functions

Support triple streams

Inbuilt smart analytics supported

IP67 weather proof outdoor enclosure



TECHNICAL SPECIFICATIONS

VP-NC91004B-AF3WLT1

Camera	Image Sensor	1/1.79" Progressive Scan CMOS Sensor
	Signal System	PAL/NTSC
	Effective Pixels	2688 (H) × 1520 (V)
	Minimum Illumination	Color: 0.0001 lux @F1.0, AGC ON; 0 lux with illumination on
	Electronic Shutter Speed	Auto or manual mode; manual mode: 1 / 3s ~ 1 / 100000 s
	Gain Control	Auto
	Signal to Noise	> 50 dB
	Iris	Fixed
Lens	Lens Type	3.6 mm @F1.0 (2.8mm optional), H FoV:96°;V FoV:51°;D FoV:112°
	Lens Mount	M12
	Focus	Fixed
	Angle Adjustment	Pan: 0°~360°; Tilt:0°~80°; Rotation: 0°~360°
Day/Night Functionality	Night Vision	True Day & Night with ICR
	IR Cut	High performance Mechanical IR Cut Filter with auto switch
	IR Source	Inbuilt Smart IR LEDs with intensity control
	White Light Range	20 ~ 30 m
Compression	Video Compression	H.265+ / H.265 / H.264+ / H.264 / MJPEG
	H.265 Codec Profile	Main Profile
	Audio Compression	G711A/U
	Video Bit Rate	32 Kbps ~8 Mbps
Resolution and Frame Rate	Max. Resolution	4MP (2688×1520), 2K (2560×1440), 1080P (1920×1080), 720P (1280×720), D1, VGA (640 ×480), 640 ×360, CIF, 480×240
	Main Stream	4MP/2K/1080P(60Hz : 1 ~ 30fps; 50Hz: 1~25fps)
	Sub Stream	1080P/720P/D1/640 ×360 (60Hz : 1 ~ 30fps; 50Hz: 1~25fps)
	Third Stream	720P/D1/640 ×360/VGA/CIF/480×240 (60Hz : 1 ~ 30fps; 50Hz: 1~25fps)
Operational Features	Wide Dynamic Range (WDR)	120dB
	BLC	Supported
	ROI	Each ROI to be configured separately
	HLC	Supported
	DNR	Inbuilt 3D DNR (Digital Noise Reduction) circuit
	Defog	Supported
	EIS	Supported
	Codec Streaming Capability	Triple streaming
	Image Settings	ROI, Saturation, Brightness, Hue, Contrast, Wide Dynamic, Sharpness, Image Flip, Image Mirror, NR, etc. adjustable through client software or web browser
	Smart Alarm	Motion detection, SMD, SD card error, SD card full, IP address conflict, Network disconnection, sensor alarm, audio alarm
	Onboard Storage	Built-in Micro SD/SDHC/SDXC slot, up to 256 GB
	General Function	Watermark, video mask, heartbeat, image distortion correction, corridor pattern, ANR, cloud upgrade, disarming
	Security	Video encryption, firmware encryption, HTTPS encryption, configuration encryption, illegal login lock, IP address filtering, 802.1x authentication, basic and digest authentication for HTTP/RTSP
Network & Remote Monitoring	Protocols	UDP, IPv4, IPv6, DHCP, NTP, RTSP, RTP, RTCP, RTMP, FTP, PPPoE, DDNS, SMTP, SNMP, HTTP, 802.1x, UPnP, HTTPS, HTTP POST, P2P, QoS
	System Compatibility	ONVIF, API & SDK
	CMS	Full function CMS (Central monitoring software)
	Mobile Client Application	Supports android and iOS APP for Smart phone and tablets
	Bandwidth Control	VBR (Automatic) and CBR (Manual) supported
	Online Connection	Support simultaneous monitoring for up to 10 users; Support multi-stream real time transmission
	Web Browser	Chrome 92.0+/Edge 92.0+/Firefox 91.0+/Safari 13.1+
	Storage	Network remote storage; micro SD card storage

TECHNICAL SPECIFICATIONS

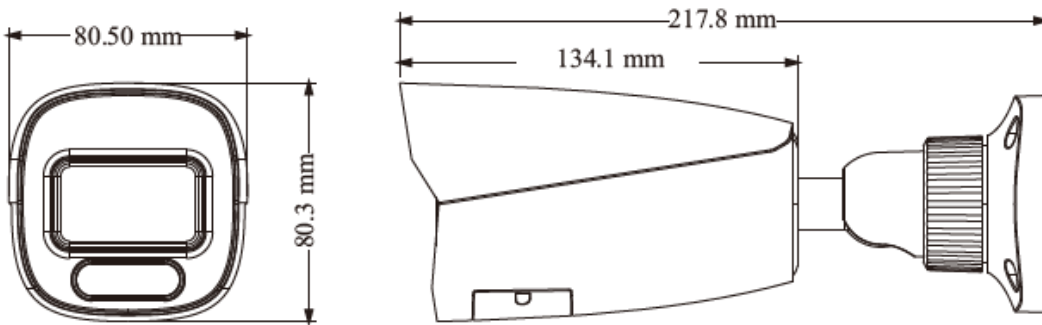
VP-NC91004B-AF3WLT1

Analytics Feature	Smart Features	Line crossing, region intrusion/entrance/exiting (human/vehicle classification), abandoned/ missing object detection, target counting by line/area, heat map
	Exception Detection	Scene change, video blur and abnormal color detection
	Face Detection	Face detection, face capture and face comparison
	Video Metadata	Simultaneously captures human body, motor vehicle and non-motor vehicle and extracts 13 human features, 4 motor vehicle features and 1 non-motor vehicle feature
Interface	Ethernet	1 RJ45 10/100 Ethernet port
	Power Input	Standard DC Jack
	Audio	1CH audio input; 1CH audio output; 1CH built-in microphone
	Alarm	1CH alarm input; 1CH alarm output
	Storage	Built-in micro SD card slot; up to 1 TB
	Reset	Supported
Electrical	Power Requirement	DC12V/PoE (IEEE802.3af)
	Power Consumption	Max. <7W
Environmental	Enclosure	IP67 Weather proof outdoor enclosure
	Installation	Ceiling mounting; Wall mounting
	Operating Temperature	-30°C to + 60°C
	Storage Temperature	-30°C to + 65°C
	Operating Humidity	95% or less (non-condensing)
Mechanical	Color	White
	Dimensions	217.8 × 80.5 × 80.3
	Weight	Approx. 0.69KG
Certifications	Certifications	UL,CE, FCC, RoHS

*Exact products and specifications shown may vary by geographic region and are subject to change without notice. Product image, weights and measurements are approximate and may vary due to customized solutions & products being offered as per customer requirements.

DIMENSIONS

Unit: mm



VANTAGE INTEGRATED SECURITY SOLUTIONS LIMITED

B3, Bredon House 321, Tenttenhall Road Tettenhall, Wolverhampton

West Midlands, WV6 0JZ United Kingdom

Ph: +44-1902793383, Email: sales@vantagesecurity.com

www.vantagesecurity.com

(AN ISO 9001 : 2008, ISO14001 : 2004 CERTIFIED COMPANY)

