

ULTRA HIGH DEFINITION 12MP IP DOME CAMERA

VP-NC911712D-AZ1IR2T1 IR NIGHT VISION MOTORIZED ZOOM CAMERA



FEATURES

- Ultra high definition 12MP (4000 x 3000) resolution
- H.265+ video compression technology with real time encoding
- Inbuilt 75dB WDR, 3D DNR, HLC, ROI, defog & BLC functions
- Support five streams
- High performance IR Cut mechanical filter for True day & night vision
- Inbuilt micro SD card slot, up to 512GB
- Inbuilt smart analytics features
- IP67 weather proof outdoor enclosure

H.265+
COMPRESSION

**Full
HD**



TECHNICAL SPECIFICATIONS

VP-NC911712D-AZ1R2T1

Camera	Image Sensor	1/1.7" progressive scan CMOS sensor
	Signal System	PAL/NTSC
	Effective Pixels	4000 (H) × 3000(V)
	Minimum Illumination	Color : 0.006 lux@F1.4,AGC ON; B&W: 0 lux with IR
	Electronic Shutter Speed	1 / 3 s ~ 1 / 100000 s
	Gain Control	Auto
	White Balance	Auto
	Signal to Noise	> 50 dB
	Iris	DC Iris
Lens	Lens Type	2.8~12mm@F1.4, motorized lens
	Lens Mount	Ø14
	FoV	H.FoV: 96°~46°; V.Fov: 70°~35°; D.FoV: 128°~58°
	Focus	Motorized
Day/Night Functionality	Day & Night	True day & night with ICR
	IR Cut	High performance mechanical IR cut filter with auto switch
	IR Source	Inbuilt high intensity smart IR LEDs with intensity control
	IR Range	30 ~ 50 Mtr.
Compression	Video Compression	H.265+ / H.265 / H.264+ / H.264 / MJPEG
	H.264 Codec Profile	Baseline profile/main profile/high profile
	Audio Compression	G711A / U
	Video Bit Rate	64 Kbps ~ 10 Mbps
Resolution and Frame Rate	Max. Resolution	12MP (4000×3000), 8MP (3840 ×2160), 6MP (3200×1800), 4MP (2688×1520), 1080P(1920×1080), 720P (1280×720), D1, VGA (640×480), 640×360, CIF, 480×240
	Main Stream	12MP/8MP/6MP/4MP/1080P/720P(60Hz : 1 ~ 30fps; 50Hz: 1~25fps)
	Sub Stream	1080P/720P/D1 (60Hz : 1 ~ 30fps; 50Hz: 1~25fps)
	Third Stream	720P/D1/VGA/640×360/CIF/480×240 (60Hz : 1 ~ 30fps; 50Hz: 1~25fps)
	Fourth Stream	D1/VGA/640×360/CIF/480×240 (60Hz : 1 ~ 30fps; 50Hz: 1~25fps)
	Fifth Stream	D1/VGA/640×360/CIF/480×240 (60Hz : 1 ~ 30fps; 50Hz: 1~25fps)
Operational Features	HLC	Supported
	Wide Dynamic Range (WDR)	75dB
	Backlight Compensation	Supported
	Defog	Supported
	DNR	Inbuilt 3D DNR (Digital Noise Reduction) circuit
	Codec Streaming Capability	Five streaming
	Image Settings	ROI, saturation, brightness, hue, contrast, wide dynamic, sharpness, Image mirror, image flip, NR, etc. adjustable through client software or web browser
	General Function	Watermark, video mask, heartbeat, image distortion correction, corridor pattern
	Onboard Storage	Built-in Micro SD / SDHC / SDXC card slot, up to 512 GB
	ROI	Each ROI to be configured separately
	Security	Video encryption, firmware encryption, HTTPS encryption, configuration encryption, illegal login lock, IP address filtering, 802.1x authentication, basic and digest authentication for HTTP
	Alarm Trigger	Motion detection, SD card error, SD card full, IP address conflict, Network disconnected, sensor alarm

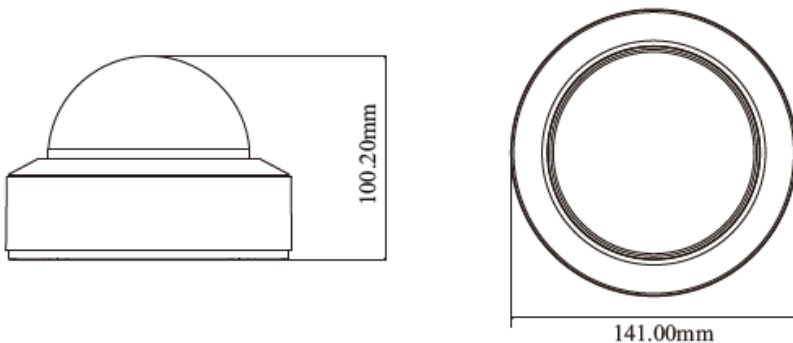
TECHNICAL SPECIFICATIONS

VP-NC911712D-AZ11R2T1

Network & Remote Monitoring	Protocols	UDP, IPv4, IPv6, DHCP, NTP, RTSP, RTP, RTMP, RTCP, PPPoE, DDNS, SMTP, FTP, SNMP, HTTP, 802.1x, UPnP, HTTPS, HTTP POST, P2P, QoS
	System Compatibility	ONVIF
	CMS	Full function CMS (Central monitoring software)
	Mobile Client Application	Supports android and iOS APP for smart phone and tablets
	Bandwidth control	VBR (Automatic) and CBR (Manual) supported
	Web Browser	IE11(plug-in required)/Chrome 89.0+/Edge 89.0+/Firefox 87.0+/Safari 14.0+
	Network storage	NVR/CMS
Analytics Feature	Smart Features	Line crossing, region intrusion/entrance/exiting(human/vehicle classification), abandoned/ missing object detection
	Target Counting	Target counting by line/area, heat map
	Exception Detection	Scene change, video blur and abnormal color detection
	Face Detection	Face detection and face capture
Interface	Ethernet	1 RJ45 10/100 Ethernet port
	Video Output	CVBS output (BNC x 1)
	Audio	1CH audio input; 1CH audio output; 1 CH built-in MIC
	Alarm	1CH alarm input; 1CH alarm output
	Reset	Supported
Electrical	Power Requirement	DC12V/ PoE (IEEE802.3af)
	Power Consumption	Max. 11W
Environmental	Enclosure	IP67 Weather proof outdoor enclosure
	Impact Protection	IK10
	Mounting Bracket	Integrated mounting bracket with cable management
	Operating Temperature	-30°C to + 60°C
	Storage Temperature	-30°C to + 65°C
Mechanical	Operating Humidity	95% or less (non-condensing)
	Color	White
	Dimensions	Ø 141 x 100.2mm
Certifications	Weight	Approx. 0.93KG
	Certifications	CE, FCC, RoHS

*Exact products and specifications shown may vary by geographic region and are subject to change without notice. Product image, weights and measurements are approximate and may vary.

DIMENSIONS



VANTAGE INTEGRATED SECURITY SOLUTIONS LIMITED

B3, Bredon House 321, Tenttenhall Road Tettenhall, Wolverhampton
West Midlands, WV6 0JZ United Kingdom

Ph: +44-1902793383, Email: sales@vantagesecurity.com

www.vantagesecurity.com

(AN ISO 9001 : 2008, ISO14001 : 2004 CERTIFIED COMPANY)

