

# ULTRA HIGH DEFINITION 12MP IP FISHEYE CAMERA

# VP-NC94812PD-AF1IRT1 360° INDOOR CAMERA



## FEATURES

Ultra High Definition 12MP (4000X3000) resolution

1/1.7" Progressive Scan CMOS Sensor

Inbuilt DWDR, HLC, BLC, 3D DNR, ROI functions

10 ~ 20m IR night view distance

Built-in micro SD card slot, up to 256GB

Inbuilt Smart Analytics Features

IP67 Weather Proof Indoor Enclosure



## TECHNICAL SPECIFICATIONS

### VP-NC94812PD-AF1IRT1

Camera	Image sensor	1/1.7" Progressive Scan CMOS Sensor
	Signal System	PAL/NTSC
	Effective Pixels	4000 (H) x 3000 (V)
	Minimum Illumination	Color: 0.01 lux@F2.0, AGC ON; 0 lux with IR
	Electronic Shutter Speed	1/3s ~ 1/1000000s
	White Balance	Auto
	Signal to Noise	> 50 dB
Lens	Lens Type	Lens 1.65mm @F2.0, horizontal field of view : 180 (wall mounting) 360 (ceiling mounting) 360 (desktop)
Day/Night Functionality	Day & Night	True Day & Night with ICR
	IR Range	10-20m
Compression	Video compression	H.265+ / H.265/ H.264+ / H.264 MJPEG
	H.264 codec profile	Baseline Profile/Main Profile/High Profile
	Audio Compression	G711A / U
	Video Bit Rate	128Kbps ~ 16Mbps
Resolution and Frame Rate	Max. Resolution	4000 x 3000
	Main Stream	<p>Fisheye                      Fisheye view (main stream): 3000x3000/2160x2160/1080x1080 (50Hz: 1~25fps; 60Hz: 1~30fps)                      Fisheye view (sub stream): 1440x1440/720x720/480x480 (50Hz: 1~25fps; 60Hz: 1~30fps)                      Fisheye view (third stream): 960x960/ 640x640/360x360(50Hz: 1~25fps; 60Hz: 1~30fps)</p> <p>Panoramic                      Panoramic view (main stream): 4000x3000/3840x2160/3200x1800/ 2560x1440 (50Hz:1~20fps; 60Hz:1~20fps)                      Panoramic view (sub stream): 1920x1080/ 960x540/640x480 (50Hz: 1~20fps; 60Hz:1~20fps)                      Panoramic view (third stream): 1280x720/640x360 (50Hz:1~20fps; 60Hz:1~20fps)</p> <p>Fisheye+Panoramic+3 PTZ                      Fisheye view (main stream): 3000x3000/2160x2160/1080x1080 (50Hz: 1~15fps; 60Hz:1~15fps)                      Fisheye view (sub stream): 1440x1440/720x720/480x480 (50Hz: 1~15fps; 60Hz:1~15fps)                      Fisheye view (third stream): 960x960/ 640x640/360x360 (50Hz: 1~15fps; 60Hz:1~15fps)</p> <p>Panoramic view (main stream): 4000x3000/3840x2160/3200x1800/ 2560x1440 (50Hz:1~10fps; 60Hz: 1~10fps)                      Panoramic view (sub stream): 1920x1080/ 960x540/640x480 (50Hz: 1~10fps; 60Hz: 1~10fps)                      Panoramic view (third stream): 1280x720/640x360(50Hz:1~10fps; 60Hz: 1~10fps)</p> <p>3PTZ view: (1280x720) * 3 (50Hz:1~15fps; 60Hz: 1~15fps)                      Fisheye+ 4 PTZ                      Fisheye view (main stream): 3000x3000/2160x2160/1080x1080 (50Hz: 1~25fps; 60Hz:1~30fps)                      Fisheye view (sub stream): 1440x1440/720x720/480x480 (50Hz: 1~25fps; 60Hz:1~30fps)                      Fisheye view (third stream): 960x960/ 640x640/360x360 (50Hz: 1~25fps; 60Hz:1~30fps)</p> <p>4PTZ view : (1280x720) * 4 (50Hz:1~15fps; 60Hz: 1~15fps)                      Fisheye+ 4 PTZ Fusion                      Fisheye view (main stream): 3000x3000/2160x2160/1080x1080 (50Hz: 1~25fps; 60Hz:1~30fps)                      Fisheye view (sub stream): 1440x1440/720x720/480x480 (50Hz: 1~25fps; 60Hz:1~30fps)                      Fisheye view (third stream): 960x960/ 640x640/360x360 (50Hz: 1~25fps; 60Hz:1~30fps)</p> <p>4PTZ fusion view (main stream): 2560x1440 (50Hz:1~20fps; 60Hz: 1~20fps)                      4PTZ fusion view (sub stream): 640x360 (50Hz:1~20fps; 60Hz: 1~20fps)</p>

## TECHNICAL SPECIFICATIONS

# VP-NC94812PD-AF1IRT1

Operational Features	Wide Dynamic Range	DWDR
	Backlight Compensation	Supported
	HLC	Supported
	DNR	Inbuilt 2D / 3D DNR (Digital Noise Reduction) circuit
	Image Settings	ROI, Saturation, Brightness, Chroma, Contrast, Wide Dynamic, Sharpen, NR, etc. adjustable through client software or web browser
	Defog	Supported
	ROI	Each ROI to be configured separately
	General Function	Watermark, video mask, heartbeat, corridor pattern, fisheye dewarping, system backup
	Onboard Storage	Built-in micro SD card slot; up to 256GB
	Smart Alarm	Motion detection, sensor alarm, SD card error, SD card full, IP address conflict, cable disconnection
Network & Remote Monitoring	Protocols	UDP, IPv4, IPv6, DHCP, NTP, RTSP, RTP, RTCP, RTMP, SNMP, PPPoE, DDNS, 802.1x, SMTP, FTP, UPnP, HTTPs, HTTP, QoS, P2P, HTTP POST
	System Compatibility	ONVIF
	CMS	Full function CMS ( Central monitoring software)
	Mobile Client Application	Supports android and iOS APP for Smart phone and tablets
	Bandwidth control	CBR / VBR
	Online Connection	Support simultaneous monitoring for up to 6 users; Support multi-stream real time transmission
	Web Browser	IE11(plug-in required)/Chrome 89.0+/Edge 89.0+/Firefox 87.0+/Safari 14.0+
	Remote Monitoring	Web Browser/NVR/mobile APP
Interface	Ethernet	1 RJ45 10/100 Ethernet port
	Power Input	Standard DC Jack
	Alarm Input/Output	1CH alarm input; 1CH alarm output
	Audio Input/Output	1CH audio input; 1CH audio output; 2CH built-in MIC
	Video Output	CVBS output (BNC x 1)
	RS485	Yes, half-duplex
	Reset	Supported
Smart Analytics	Smart Features	Mode 1/3/4/5 (ceiling mounting): (Human) region intrusion/region entrance/region exiting/line crossing/target counting by line, crowd density detection, heat map Mode 2/3 (Wall mounting or desktop): Region intrusion/region entrance/region exiting/line crossing/target counting by line (human/ motor vehicle/non-motor vehicle classification), crowd density detection
Electrical	Power Requirement	12 VDC, PoE (IEEE802.3af)
	Power Consumption	<10.5W
Environmental	Enclosure	IP67 weather proof enclosure
	Installation	Wall mounting, ceiling mounting, desktop
	Operating Temperature	-30°C to + 60°C
	Operating Humidity	95% or less (non-condensing)
Mechanical	Dimensions	Φ 130.6x46.3
	Weight	Approx. 516.2g
Certifications	Certifications	UL, CE, FCC, RoHS

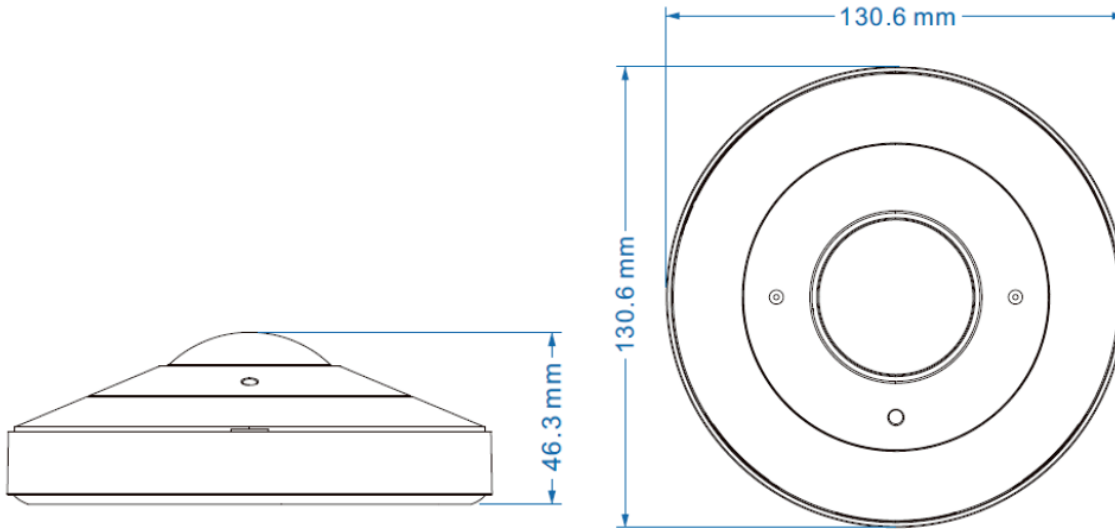
\*Exact products and specifications shown may vary by geographic region and are subject to change without notice. Product image, weights and measurements are approximate and may vary due to customized solutions & products being offered as per customer requirements.

## TECHNICAL SPECIFICATIONS

**VP-NC94812PD-AF1IRT1**

## DIMENSIONS

Unit: mm



## VANTAGE INTEGRATED SECURITY SOLUTIONS LIMITED

B3, Bredon House 321, Tenttenhall Road Tettenhall, Wolverhampton

West Midlands, WV6 0JZ United Kingdom

Ph: +44-1902793383, Email: [sales@vantagesecurity.com](mailto:sales@vantagesecurity.com)

[www.vantagesecurity.com](http://www.vantagesecurity.com)

(AN ISO 9001 : 2008, ISO14001 : 2004 CERTIFIED COMPANY)

