

FULL HIGH DEFINITION 2MP IP PTZ Camera

VP-NC9792P-AZ25IR6T1
IR Night Vision High Speed PTZ Dome Camera



FEATURES

Full High Definition 2MP (1920×1080) resolution

1/2.8" Progressive Scan CMOS Sensor

Inbuilt 3D DNR, HLC, BLC & 120dB HDR functions

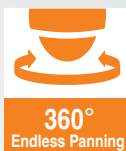
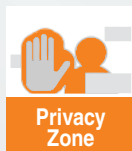
Support H.265+/H.265/H.264+/H.264/MJPEG video compression

25x Optical zoom

360° endless panning

Inbuilt IR LEDs for 300 mtrs IR range

IP66 Weather proof outdoor enclosure



TECHNICAL SPECIFICATIONS

VP-NC9792P-AZ25IR6T1

Camera	Image sensor	1/2.8" Progressive Scan CMOS Sensor
	Signal System	PAL/NTSC
	Effective Pixels	1920 (H) x 1080 (V)
	Minimum Illumination	Color: 0.00125 Lux@ (F1.6,AGC ON) B/W: 0.00025Lux @ (F1.6, AGC ON);0Lux with IR
	Electronic Shutter Speed	60Hz: 1/30s - 1/30,000s; 50Hz: 1/25s~1/25,000s
	Signal to Noise	> 52 dB
	Gain Control	Auto / Manual
	White Balance	Auto/Manual/Indoor/Outdoor
	Iris	DC
Lens	Lens Type	4.8-120mm lens,25x optical zoom
	Field of View	Horizontal: 55° ~ 2.4° ;Vertical: 33° ~ 1.4°; Diagonal: 61.5° ~2.8°.(Wide-Tele), ± 5%
	Focus	Auto
	Zoom	25x Optical Zoom
	Zoom Speed	Approx. 3.6s (optical lens, wide-tele)
	Aperture Range	Max F1.6
Compression	Video Compression	H.265+/H.265/H.264+/H.264/MJPEG
	H.265 Codec Profile	Main profile
	Video Bit Rate	64Kbps ~ 16Mbps
	Audio Compression	G.711 A/U
	Audio Bit Rate	64kbps
Resolution and Frame Rate	Max. Resolution	1920x1080
	Main Stream	50Hz: 1920 x 1080,1280 x 960,1280 x 720 @25fps; 60Hz: 1920 x 1080,1280 x 960,1280 x 720 @30fps
	Sub Stream	50Hz: 704 x 576, 640 x 480, 352 x 288 @25fps; 60Hz: 704 x 480, 640 x 480, 352 x 240 @30fps
	Third Stream	50Hz: 1920 x 1080,1280 x 960,1280 x 720, 704 x 576, 640 x 480, 352 x 288 @25fps 60Hz: 1920 x 1080,1280 x 960,1280 x 720, 704 x 480, 640 x 480, 352 x 240 @30fps
Day/Night Functionality	Day & Night	True Day & Night with ICR
	IR Cut	High performance Mechanical IR Cut Filter with auto switch
	IR Source	Inbuilt High performance IR LEDs
	IR Range	Up to 300 Mtrs
Pan-Tilt	Pan Angle	360° endless pan rotation
	Tilt Angle	-10° to 90° (Auto Flip)
	Pan Speed	0.1° ~ 200°/s(Manual), 0.1° ~ 240°/s(Preset)
	Tilt Speed	0.1° ~ 200°/s(Manual), 0.1° ~ 240°/s(Preset)
	Presets	360
	Patrol	8 patrols, up to 16 presets per patrol
	Tour Pattern	4 Tour patterns
	Power-off Memory	Supported
	PTZ position display	Supported
	Preset Freezing	Supported
	Scheduled Task	Preset/Cruise/Trace/Random Scan/Boundary Scanning /Dome reboot
	Action mode	Preset/Cruise/Trace/Auto Scan/Random Scan
	Proportional Zoom	Supported
	3D Positioning	Supported

TECHNICAL SPECIFICATIONS

VP-NC9792P-AZ25IR6T1

Operational Features	Alarm Linkage	Alarm actions, such as Preset, Cruise, Track, Memory Card Video Record, Trigger Recording, Upload to FTP/Memory Card, Send Email, etc.
	Digital Zoom	16X
	HLC	Supported
	OSD overlay	Max 15 characters/line, 8 lines, white or red font color
	Picture overlay	Logo picture could be overlaid on video with 128x128pixels,24bits BMP format
	BLC	Supported
	HDR	120dB
	Protocols	PELCO-P, PELCO-D, Multi protocol support
	Privacy Mask	4 areas, up to 8 mask per request.
	DNR	Inbuilt 3D DNR (Digital Noise Reduction) circuit
	Codec streaming capability	Triple streaming
	Image settings	Flip, Mirror, Saturation, Brightness, Contrast, Sharpness, AGC, AWB adjusted by client software/browser
	Security	User authentication (ID and PW), Host authentication (MAC address); HTTPS encryption, IEEE802.1x port-based network access control; IP address filtering
	SD Card Slot	One MicroSD slot, up to 256GB
Basic event	Motion detection, Video tampering alarm, Exception(Network disconnected, IP address conflict, SD full, SD error)	
Network & Remote Monitoring	Protocols	HTTP, HTTPS, IPv4/IPv6, 802.1x, QoS, FTP, SMTP, UPnP, SNMP, DNS, DDNS, NTP, RTSP, RTCP, RTP, TCP/IP, UDP, DHCP, PPPoE, P2P
	System Compatibility	ONVIF (G/S/T)
	CMS	Full function CMS (Central monitoring software)
	User Access	16 users online with professional authority management
	Mobile Client Application	Supports android and iOS APP for Smart phone and tablets
	Bandwidth control	VBR (Automatic) and CBR (Manual) supported
	Web Browser	IE8-11 with plug-in; Edge, Chrome, Firefox with plugin free
Interface	Ethernet	1 RJ45 10M/100M Adaptive Ethernet ,Support PoE
	Alarm Input / Output	1/1
	Audio Input / Output	1/1
	Water Removal	Anti-rain-drops lotus coating glass, quick-spinning
	Frost & Fog Removal	Hot air loop, desiccant, vacuumize
Smart Analytics	Face recognize	Default off (Upon customer request), max 17faces per scene, detect, capture, upload, score, compare.
	Smart Features	Tripwire, Bi-directional tripwire, Intrusion detection, Region entrance detection, Region exiting detection, etc. More VCA upon request
	Road traffic	Vehicle detecting and tracking
	Smart Tracking	Smart tracking of human or vehicle, auto/manual
Electrical	Power Requirement	DC12V±25% or PoE+ (802.3.at, class 3)
	Power Consumption	MAX. 22W (include IR on, Heater on, Fan working)
Environmental	Enclosure	IP66, 6000V Lightning Protection, Surge Protection and Voltage Transient Protection
	Impact Protection	IK10 (excluding glass window)
	Operating Temperature	-40°C to +65°C
	Storage Temperature	-40°C to +70°C
	Operating Humidity	95% or less (non-condensing)

TECHNICAL SPECIFICATIONS

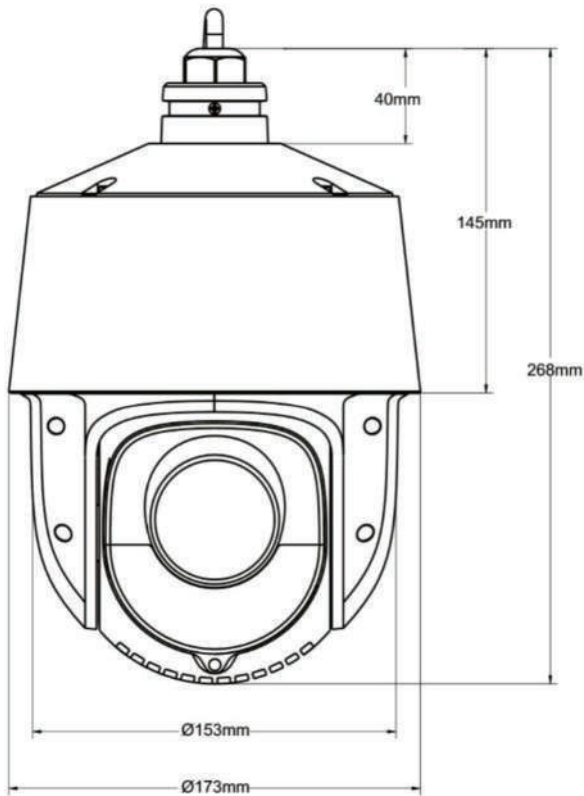
VP-NC9792P-AZ25IR6T1

Mechanical	Color	White
	Dimensions	Φ 173mm × 268mm
	Weight	Approx. 2.1KG
Certification	Certification	UL, CE, FCC, RoHS

*Exact products and specifications shown may vary by geographic region and are subject to change without notice. Product image, weights and measurements are approximate and may vary due to customized solutions & products being offered as per customer requirements.

DIMENSIONS

Unit: mm



VANTAGE INTEGRATED SECURITY SOLUTIONS LIMITED

B3, Bredon House 321, Tenttenhall Road Tettenhall, Wolverhampton

West Midlands, WV6 0JZ United Kingdom

Ph: +44-1902793383, Email: sales@vantagesecurity.com

www.vantagesecurity.com

(AN ISO 9001 : 2008, ISO14001 : 2004 CERTIFIED COMPANY)

