

# FULL HIGH DEFINITION 2MP IP PTZ CAMERA

## VP-NC9812P-AZ40IR7T1 IR Night Vision High Speed PTZ Dome Camera



### FEATURES

Full High Definition 2MP (1920×1080) resolution

1/2.8" Progressive Scan CMOS Sensor

Inbuilt 128dB WDR/HDR, 3D DNR, HLC, BLC & OSD functions

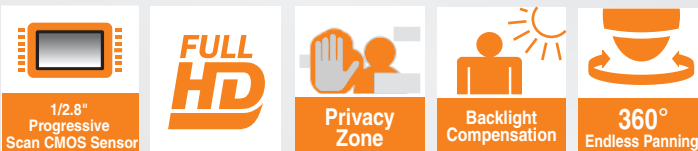
Support H.265/H.265+/H.264+/H.264 video compression

40x Optical zoom

360° endless panning

Inbuilt IR LEDs for 400 mtrs IR range

IP67 Weather proof outdoor enclosure



## TECHNICAL SPECIFICATIONS

### VP-NC9812P-AZ40IR7T1

Camera	Image sensor	1/2.8" Progressive Scan CMOS Sensor
	Signal System	PAL/NTSC
	Effective Pixels	1920 (H) x 1080 (V)
	Minimum Illumination	Color:0.001Lux @ (F1.2,AGC ON); B/W:0.0002Lux @(F1.2,AGC ON); 0 Lux with IR
	Electronic Shutter Speed	50Hz: 1/25 s -1/25,000s; 60Hz: 1/30s-1/30,000s
	Signal to Noise	> 52 dB
	Gain Control	Auto / Manual
	White Balance	Auto/Manual/Indoor/Outdoor
	Iris Type	DC Iris
Lens	Lens Type	4.5mm to 180mm
	Field of View	Horizontal:59.1° to 1.8°(wide-tele), Vertical: 38.4° to 1.1°(wide-tele) Diagonal: 6.9° to 2.1°(wide-tele)
	Zoom	40x Optical Zoom
	Zoom Speed	Approx. 5.2s (optical lens, wide-tele)
	Aperture Range	F1.2-F3.5
Compression	Video Compression	H.265+/H.265/H.264+/H.264/MJPEG
	H.265 Codec Profile	Main profile
	Video Bit Rate	64Kbps ~ 16Mbps
	Audio Compression	G.711 A/U
	Audio Bit Rate	64k bps
Resolution and Frame Rate	Max. Resolution	1920x1080
	Main Stream	50Hz: 25/50fps: 1920x1080,1280x960,1280x720 60Hz: 30/60fps: 1920x1080,1280x960,1280x720
	Sub Stream	50Hz: 25fps: (704 x 576, 640 x 480, 352 x 288) 60Hz: 30fps (704 x 480, 640 x 480, 352 x 240)
	Third Stream	50 Hz: 25/50 fps (1920x1080,1280x960,1280x720,704x576,640x480, 352x288) 60 Hz: 30/60 fps (1920x1080,1280x960,1280x720, 704x480,640x 480, 352x240)
Day/Night Functionality	Day & Night	True Day & Night with ICR
	IR Cut	Removable IRCF, absorbing type, reducing image flare/ghost
	IR Source	Inbuilt High performance IR LEDs
	IR Range	Up to 400 Mtrs
Pan-Tilt	Pan Angle	360° endless pan rotation
	Tilt Angle	-25° to 155° (Auto Flip at 90°)
	Pan Speed	0.1° ~ 360°/s(Manual), 0.1° ~ 330°/s(Preset)
	Tilt Speed	0.1° ~ 210°/s(Manual), 0.1° ~ 180°/s(Preset)
	Presets	300
	Patrol	8 patrols, up to 16 presets per patrol
	Tour Pattern	4 Tour patterns
	Power-off Memory	Supported
	PTZ position display	Supported
	Action mode	Preset/Cruise/Trace/Auto Scan/Random Scan
	Proportional Zoom	Supported
	3D Positioning	Supported
	Scheduled Task	Preset/Cruise/Trace/Random Scan/Boundary Scanning /Dome reboot De-frost/ water removal

## TECHNICAL SPECIFICATIONS

### VP-NC9812P-AZ40IR7T1

Operational Features	Alarm Linkage	Alarm actions, such as Preset, Cruise,Track, Memory Card Video Record, Trigger Recording, Notify Surveillance Center, Upload to FTP/Memory Card, Send Email, etc.
	Digital Zoom	8x
	HLC	Supported
	BLC	Supported
	Picture overlay	Logo picture could be overlaid on video with 128x128pixels,24bits BMP format
	Electronic Stabilizer	Built-in Gyro sensor
	WDR/HDR	128dB
	OSD Overlay	Max.15 characters/line, 8 lines, white or red font color
	Privacy Mask	4 areas, up to 8 mask per request
	3D DNR	Auto/Manual
	Codec streaming capability	Triple streaming
	Image settings	Flip, Mirror, Saturation, Brightness, Contrast, Sharpness, AGC, and AWB adjusted by client software/browser
	Security	User authentication (ID and PW), Host authentication (MAC address); HTTPS encryption, IEEE802.1x port-based network access control; IP address filtering
	Onboard Storage	Support micro SD/SDHC/SDXC, up to 256 GB
Basic event	Motion detection, Video tampering alarm, Exception (Network disconnected, IP address conflict, SD full, SD error)	
Network & Remote Monitoring	Protocols	HTTP, HTTPS, IPv4/IPv6, 802.1x, QoS, FTP, SMTP, UPnP, SNMP, RTMP, DNS, DDNS, NTP, RTSP, RTCP, RTP, TCP/IP, UDP, DHCP, P2P,PPPoE
	System Compatibility	ONVIF
	CMS	Full function CMS ( Central monitoring software)
	User Access	16 users online with professional authority management
	Mobile Client Application	Supports android and iOS APP for Smart phone and tablets
	Bandwidth Control	VBR (Automatic) and CBR (Manual) supported
	Web Browser	IE8-11 with plug-in; Edge, Chrome, Firefox with plugin free
Interface	Ethernet	1 RJ45 10M/100M adaptive ethernet, support PoE+
	Audio Input / Output	1/1
	Alarm input / Output	1/1
	Electric Heater & Fan	Supported
	Water Removal	Remove water drops by quick spinning
	Frost & Fog Removal	Active electric heating and air loop
Smart Analytics	Reset Button	Supported
	Smart Features	Tripwire, Bi-directional tripwire, Illegal intrusion detection, Region entrance detection, Region exiting detection
	Face Recognize	Default off, face detection, comparison, capture, Max 17 human faces per second
	Road Traffic	Vehicle detecting and tracking
Electrical	Smart Tracking	Auto Tracking (human or vehicle)
	Power Requirement	DC24V±25%,PoE++ (802.3.at type 2)
	Power Consumption	MAX. 27W including IR 10W

## TECHNICAL SPECIFICATIONS

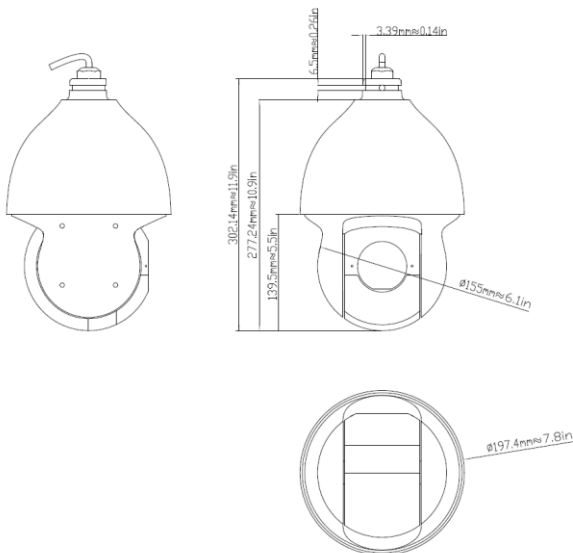
# VP-NC9812P-AZ40IR7T1

Environmental	Enclosure	IP67, 6,000V Lightning Protection, Surge Protection and Voltage Transient Protection
	Impact Protection	IK10 (excluding glass window)
	Operating Temperature	-40°C to +65°C
	Storage Temperature	-40°C to +70°C
	Operating Humidity	95% or less (non-condensing)
Mechanical	Shield Material	Aluminum Alloy; Polymer(PC+GF15%)
	Dimensions	Φ 197mm x 302mm
	Weight	Approx. 2.9KG
Certification	Certification	UL, CE, FCC, RoHS

\*Exact products and specifications shown may vary by geographic region and are subject to change without notice. Product image, weights and measurements are approximate and may vary due to customized solutions & products being offered as per customer requirements.

## DIMENSIONS

Unit: mm



## VANTAGE INTEGRATED SECURITY SOLUTIONS LIMITED

B3, Bredon House 321, Tenttenhall Road Tettenhall, Wolverhampton

West Midlands, WV6 0JZ United Kingdom

Ph: +44-1902793383, Email: sales@vantagesecurity.com

[www.vantagesecurity.com](http://www.vantagesecurity.com)

(AN ISO 9001 : 2008, ISO14001 : 2004 CERTIFIED COMPANY)

