

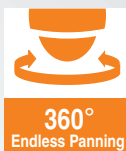
FULL HIGH DEFINITION 4MP IP PTZ CAMERA

VP-NC9814P-AZ25IR7T1 IR Night Vision High Speed PTZ Dome Camera



FEATURES

- Full High Definition 4MP (2560×1440) resolution
- 1/2.8" Progressive Scan CMOS Sensor
- Inbuilt 120dB WDR, 3D DNR, HLC, BLC & OSD functions
- Support H.265/H.265+/H.264+/H.264 video compression
- 25x Optical zoom
- 360° endless panning
- Inbuilt IR LEDs for 300 mtrs IR range
- IP67 Weather proof outdoor enclosure



TECHNICAL SPECIFICATIONS

VP-NC9814P-AZ25IR7T1

Camera	Image sensor	1/2.8" Progressive Scan CMOS Sensor
	Signal System	PAL/NTSC
	Effective Pixels	2560 (H) × 1440 (V)
	Minimum Illumination	Color:0.01Lux @ (F1.6,AGC ON); B/W:0.002Lux @(F1.6,AGC ON); 0 Lux with IR
	Electronic Shutter Speed	50Hz: 1/25 s -1/25,000s; 60Hz: 1/30s-1/30,000s
	Signal to Noise	> 52 dB
	Gain Control	Auto / Manual
	White Balance	Auto/Manual/Indoor/Outdoor
	Iris Type	DC
Lens	Lens Type	4.8mm to 120mm
	Field of View	Horizontal:57.6° to 2.5°(wide-tele), Vertical: 34.4° to 1.4°(wide-tele) Diagonal: 64.5° to 2.9°(wide-tele)
	Zoom	25x Optical Zoom
	Zoom Speed	Approx. 3.6s (optical zoom, wide-tele)
	Aperture Range	Max F1.6
Compression	Video Compression	H.265+/H.265/H.264+/H.264/MJPEG
	H.265 Codec Profile	Main profile
	Video Bit Rate	64Kbps ~ 16Mbps
	Audio Compression	G.711 A/U
	Audio Bit Rate	64k bps
Resolution and Frame Rate	Max. Resolution	2560x1440
	Main Stream	50Hz: 25fps: 2560x1440,1920x1080,1280x960,1280x720 60Hz: 30fps: 2560x1440,1920x1080,1280x960,1280x720
	Sub Stream	50Hz: 25fps: (704 × 576, 640 × 480, 352 × 288) 60Hz: 30fps (704 × 480, 640 × 480, 352 × 240)
	Third Stream	50 Hz: 25 fps (1920x1080,1280x960,1280x720,704x576,640x480, 352x288) 60 Hz: 30 fps (1920x1080,1280x960,1280x720, 704x480,640x 480, 352x240)
Day/Night Functionality	Day & Night	True Day & Night with ICR
	IR Cut	Removable IR cut filter, with blue diamond glass to remove image flare/ghost
	IR Source	Inbuilt High performance IR LEDs
	IR Range	Up to 300 Mtrs
Pan-Tilt	Pan Angle	360° endless pan rotation
	Tilt Angle	-25° to 155° (Auto Flip at 90°)
	Pan Speed	0.1° ~ 390°/s(Manual), 0.1° ~ 420°/s(Preset)
	Tilt Speed	0.1° ~ 270°/s(Manual), 0.1° ~ 300°/s(Preset)
	Presets	360
	Patrol	8 patrols, up to 16 presets per patrol
	Tour Pattern	4 Tour patterns
	Power-off Memory	Supported
	PTZ position display	Supported
	Action mode	Preset/Cruise/Trace/Auto Scan/Random Scan
	Proportional Zoom	Supported
	3D Positioning	Supported
	Scheduled Task	Preset/Cruise/Trace/Random Scan/Boundary Scanning /Dome reboot De-frost/ water removal

TECHNICAL SPECIFICATIONS

VP-NC9814P-AZ25IR7T1

Operational Features	Alarm Linkage	Alarm actions, such as Preset, Cruise, Track, Memory Card Video Record, Trigger Recording, Notify Surveillance Center, Upload to FTP/Memory Card, Send Email, etc.
	Digital Zoom	16x
	HLC	Supported
	BLC	Supported
	Picture overlay	Logo picture could be overlaid on video with 128x128pixels, 24bits BMP format
	WDR	120dB
	OSD Overlay	Max.15 characters/line, 8 lines, white or red font color
	Privacy Mask	4 areas, up to 8 mask per request
	3D DNR	Auto/Manual
	Codec streaming capability	Triple streaming
	Image settings	Flip, Mirror, Saturation, Brightness, Contrast, Sharpness, AGC, and AWB adjusted by client software/browser
	Security	User authentication (ID and PW), Host authentication (MAC address); HTTPS encryption, IEEE802.1x port-based network access control; IP address filtering
	Onboard Storage	Support micro SD/SDHC/SDXC, up to 256 GB
	Basic event	Motion detection, Video tampering alarm, Exception (Network disconnected, IP address conflict, SD full, SD error)
Network & Remote Monitoring	Protocols	HTTP, HTTPS, IPv4/IPv6, 802.1x, QoS, FTP, SMTP, UPnP, SNMP, DNS, DDNS, NTP, RTSP, RTCP, RTP, TCP/IP, UDP, DHCP, P2P, PPPoE
	System Compatibility	ONVIF, Profile A/G/Q/S/T
	CMS	Full function CMS (Central monitoring software)
	User Access	16 users online with professional authority management
	Mobile Client Application	Supports android and iOS APP for Smart phone and tablets
	Bandwidth Control	VBR (Automatic) and CBR (Manual) supported
	Simultaneous Live View	Up to 6 channels
	Web Browser	IE(8-11); Chrome, Firefox with plugin free
Interface	Ethernet	1 RJ45 10M/100M adaptive ethernet
	Audio Input / Output	1/1
	Alarm input / Output	1/1
	Electric Heater & Fan	Supported
	Water Removal	Remove water drops by quick spinning
	Frost & Fog Removal	Active electric heating and air loop
Smart Analytics	Smart Features	Tripwire, Bi-directional tripwire, Illegal intrusion detection, Region entrance detection, Region exiting detection
	Face Recognize	Default off, face detection, comparison, capture, Max 17 human faces per second
	Road Traffic	Vehicle detecting and tracking
	Smart Tracking	Auto Tracking (human or vehicle)
Electrical	Power Requirement	DC24V±25%, PoE+ (802.3.at type 2)
	Power Consumption	MAX. 24W (include IR on+PTZ working)

TECHNICAL SPECIFICATIONS

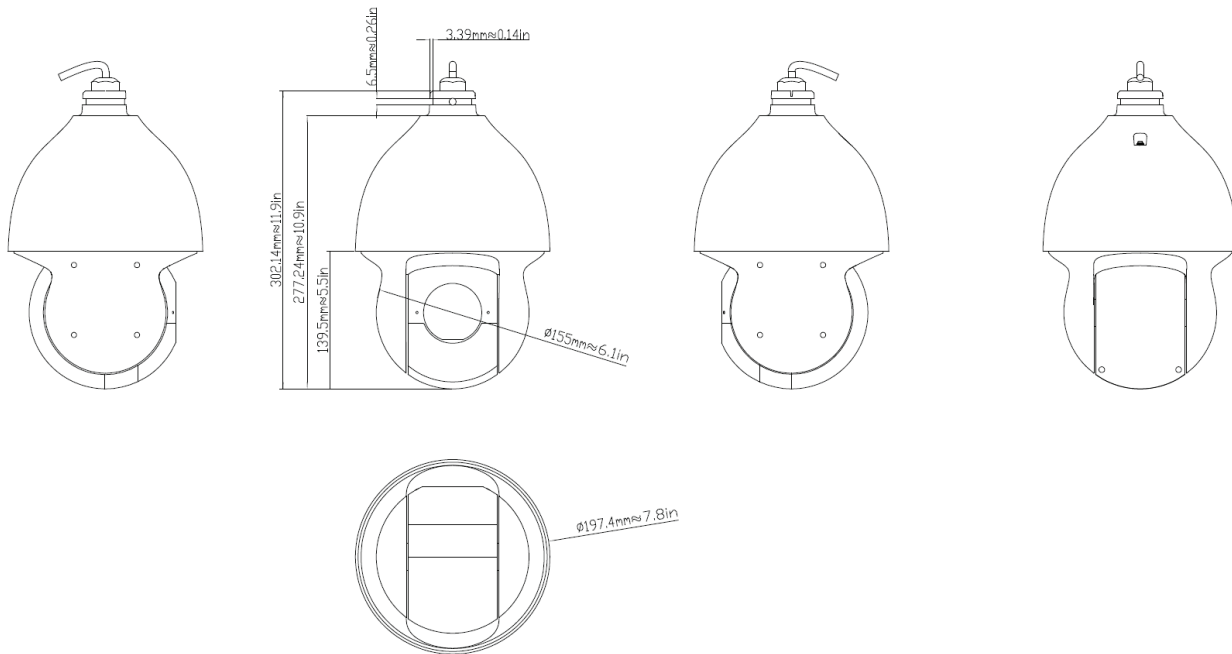
VP-NC9814P-AZ25IR7T1

Environmental	Enclosure	IP67, 6,000V Lightning Protection, Surge Protection and Voltage Transient Protection
	Impact Protection	IK10
	Operating Temperature	-40°C to +70°C
	Storage Temperature	-40°C to +70°C
	Operating Humidity	90% or less (non-condensing)
Mechanical	Color	White
	Dimensions	Φ 302mm× 197mm
	Weight	Approx. 2.9KG
Certification	Certification	UL, CE, FCC,RoHS

*Exact products and specifications shown may vary by geographic region and are subject to change without notice. Product image, weights and measurements are approximate and may vary due to customized solutions & products being offered as per customer requirements.

DIMENSIONS

Unit: mm



VANTAGE INTEGRATED SECURITY SOLUTIONS LIMITED

B3, Bredon House 321, Tenttenhall Road Tettenhall, Wolverhampton

West Midlands, WV6 0JZ United Kingdom

Ph: +44-1902793383, Email: sales@vantagesecurity.com

www.vantagesecurity.com

(AN ISO 9001 : 2008, ISO14001 : 2004 CERTIFIED COMPANY)

