

IMAGING & SCREENING SECURITY SYSTEM

VP-XR3500-BSJ8 X-RAY BAGGAGE SCANNER



FEATURES

X-ray generator with 7 Colors image displaying technology for advance material classification

Dual energy penetration system supports organic/inorganic discerning for efficient security

Versatile software with more than 30 image processing functions including auto-inspection of drugs and explosives

Supports real-time storage and retrieval of scanned images

System initiates auto-diagnostic and calibration automatically at power on

Suitable for scanning mid-sized baggage at airports, bus/train/metro stations, borders/immigration security check points

TECHNICAL SPECIFICATIONS

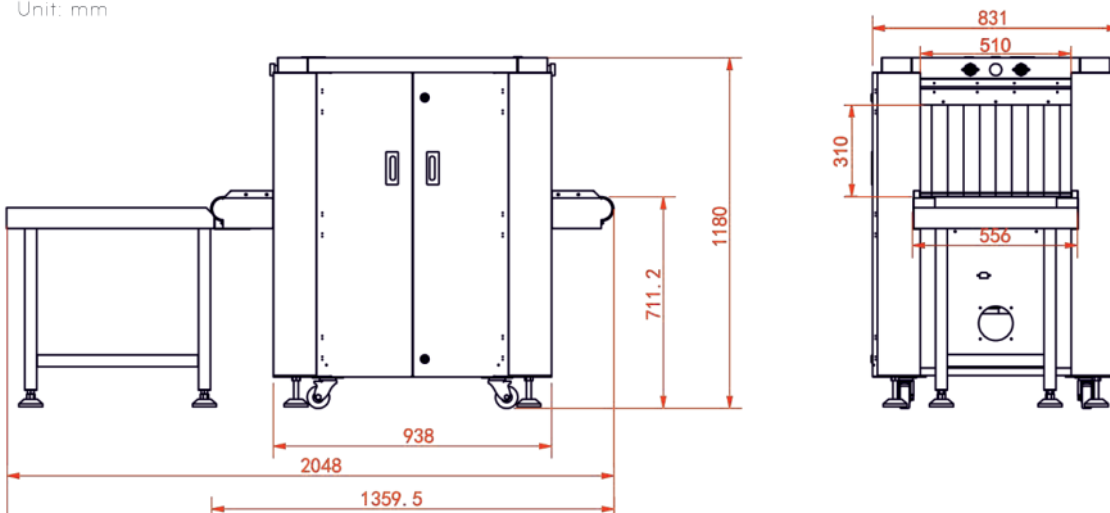
VP-XR3500-BSJ8

X-ray Generator	Tunnel Size	510(W) x 310(H)mm
	Wire Resolution	40 AWG
	Spatial Resolution	1.0 mm Horizontal, 1.0 mm Vertical
	Steel Penetration	36 mm steel Typical
	X-Ray Direction	Diagonally Upward
	X Ray Generator	140KV
	X ray Leakage	≤ 0.1 mR/hr(1.0 μSv/hr)
	S/N Ratio	<45dB
	Conveyor Speed	0.23m/s (45ft/min) bidirectional
	Conveyor Height(mm)	711mm
	Conveyor Max Load	150kg
	Leakage Current	0.7mA
	Cooling	Sealed oil bath with forced air
	Duty Cycle	100%,no warm-up procedure required
	Film Safety	Guarantee ISO 1600 (33 DIN)
	Storage Capacity	Up to 2,00,000 images stored automatically.
Image Processing System	Operation System	Windows®OS
	Display	Single 21.5" LCD color, resolution: 1980 x 1080
	Operation Console	Available /optional
	Storage	1TB SSD (standard)
	Keyboard	Keyboard included
	Roller Table	Integrated with tunnel
	X-ray sensor	L-shaped photodiode array detector (dual energy),24bit depth
	Color Image Display	24 bit color display
	Edge Enhancement	Supports clear outlining of the object edges
	Image Recall	Supports 30 images recallable
Power & Environmental	Working Temperature	0°C ~ 40°C
	Storage Temperature	-20°C-60°C
	Humidity	Up to 95% Non-Condensing
	Working Voltage	AC220V(±10%) 50/60Hz, 10A Max
	Power Consumption	Max. 600W
Mechanical	Dimensions	1359.5(L)x831(W)x1180(H)
	Net Weight	375kg
Certifications	Certifications	CE, FCC,RoHS, FDA

*Exact products and specifications shown may vary by geographic region and are subject to change without notice. Weights and measurements are approximate and may vary.

DIMENSIONS

Unit: mm

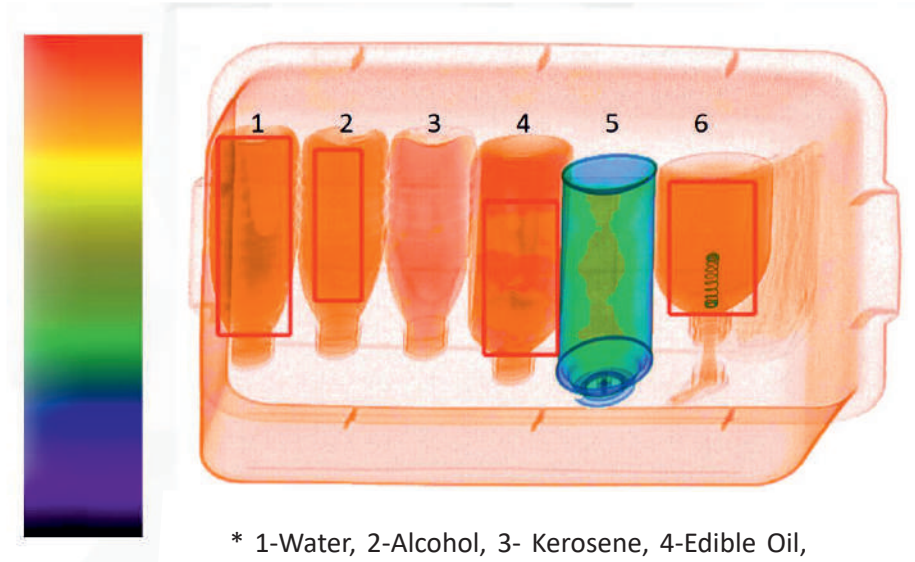


Software Advantages:

■ 4 & 7-COLOR IMAGING

The innovative 7-color imaging dual-energy technology is an advance material classification system which enables operator to view screened objects in 7 colors, each color correlate to a specific range of atomic number. It colors the 3-Kerosene with RED, hence easier to detect threats.

Combine with the Zeff-scan function to auto-highlight the potential threat of explosive and narcotic (Zeff 7.8.9) on X-ray image in real time during scanning process according to the characteristics range of explosives and narcotics atomic number (Zeff 7.8.9) , which help to identify the suspicious material more effectively.



* 1-Water, 2-Alcohol, 3- Kerosene, 4-Edible Oil, 5-Liquified Natural Gas, 6-Antibacterial Hand Gel

■ DUAL-ENERGY CLEAR IMAGING & SPLIT-SCREEN TECHNOLOGY

Dual-energy supports to identify then display the objects concealed in bag in the specific color according to their atomic number, the metallic (guns, bullet, knife) can be seen in blue, the organic (plastic, cloth, currency) can be seen in orange.

It also supports multiple Split-screen and Full-screen options for optimal viewing, operator can customize the color mode of the switchable main screen and auxiliary screen respectively



■ Software Advantages:

The software is to control the X-RAY baggage scanner as well to acquire and process the X-RAY image with different tools to find the potential threat, all the tools can be controlled by Exclusive Control Panel.

IMAGING PROCESSING TOOLS

- Switchable 4 and 7 Colors Mode
- Inverse Mode
- Gray
- Variable Gamma
- Organics & Inorganic & Mixture Striping
- Plus 6 kinds Pseudo Color Display
- Variable High & Low Penetration
- Log & Exp Trans
- Gaussian Blur& Sharpen
- Super &Partial Enhancement
- High & Low & Fusion Energy
- Density Threshold Alarm(DTA)
- Continuous Zoom(64X)
- Splicing-scan(S-scan)
- Continuous Scan(C-scan)
- Zeff-scan(Z-scan)
- AI Roller(optional)
- Reset Image
- Calibration

AUXILIARY FUNCTIONS

- Bidirectional Scanning
- Recall Historical Image
- Query & Backup & Mark Image
- Print Image
- Baggage Counter
- Day/Time Display
- Multi-language Operation
- Auto Image Archiving
- Storage Type:PNG, JPEG, BMP
- Start-up Self-diagnostics
- Real-time Image Manipulation
- Different Access Level Account
- Network Ready
- Secure Access Key
- Emergence Stop Button
- 0.5 m Roller Table
- Interlock(optional)
- Threat Image Projection(TIP)(optional)
- Operator Training System (OTS)(optional)

VANTAGE INTEGRATED SECURITY SOLUTIONS LIMITED

B3, Bredon House 321, Tenttenhall Road Tettenhall, Wolverhampton

West Midlands, WV6 0JZ United Kingdom

Ph:+44-1902-793383, Email: sales@vantagesecurity.com

www.vantagesecurity.com

(AN ISO 9001 : 2008, ISO 14001 : 2004 CERTIFIED COMPANY)

