

IMAGING & SCREENING SECURITY SYSTEM

VP-XR6040-BSS16 X-RAY BAGGAGE SCANNER



FEATURES

Single X-ray generator & single displaying technology for efficient security

Single energy penetration system supports high/low density and organic/inorganic discerning

Auto-inspection of drugs and explosives

Supports real-time storage and retrieval of scanned images

System initiates auto-diagnostic and calibration automatically at power on

Suitable for scanning mid-sized baggage at airports, bus/train/metro stations, borders/immigration security check points

Energy saving & environment protective design

TECHNICAL SPECIFICATIONS

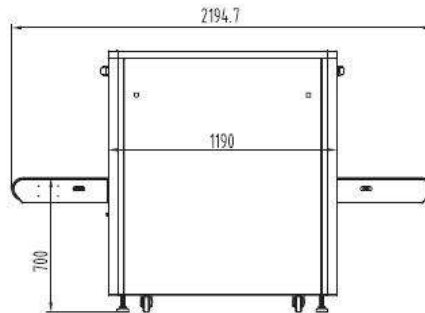
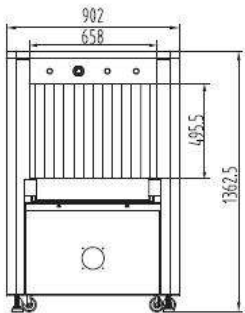
VP-XR6040-BSS16

X-ray Generator	Tunnel Size	608(W) x405(H)mm
	Wire Resolution	Typical AWG38(top view); Typical AWG38(side view)
	Penetration Resolution	Typical AWG30(top view); Typical AWG30(side view)
	Spatial Resolution	Vertical:1.0mm, horizontal:1.0mm(top view)
	Penetration	30mm(top view); 30mm(side view)
	Resolution of Organic Matter	1 - 60 mm(top view); 1 - 60 mm(side view)
	Grayscale and Mixture Resolution	1 - 120mm(top view); 1-120 mm(side view)
	Resolution of Inorganic Objects	0.2-14mm(top view); 0.2-14 mm(side view)
	X-Ray Dosage Each Inspection	≤2.0 μSv(uGy)
	X Ray Generator	140KV (80KV Optional)
	Boundary Leakage	≤1.0 μSv /h(uGy/h)
	S/N Ratio	<60dB
	Conveyor Speed	0.2m/s
	Conveyor Max Load	200kg
	Leakage Current	≤5.0mA
	Cooling	Sealed oil cooling
	Duty Cycle	100%
	Film Safety	Guarantee ASA/ISO1600 Film
	Storage Capacity	Up to 10,000 images stored automatically.
Configuration	Operation System	LINUX
	Display	21.5" LED screen, resolution: 1280x1024 pixels
	Operation Console	Single screen console
	Computer	Hard drive: 500G, Storage : 1G
	Electric Roller	One-phase
Power & Environmental	Working Temperature /Humidity	5 °C ~ 40°C/ 0%-90%(non-condensing)
	Storage Temperature /Humidity	-20°C-60°C /10%-90%(non-condensing)
	Working Voltage	AC220V(±10%-15%) 50±3Hz
	Power Consumption	0.5KW
Mechanical	Dimensions	2194.7x 859 x 1362.5mm (L x W x H)
	Net Weight	450kg
Certifications	Certifications	CE, FCC,RoHS

*Exact products and specifications shown may vary by geographic region and are subject to change without notice. Weights and measurements are approximate and may vary.

DIMENSIONS

Unit: mm



VANTAGE INTEGRATED SECURITY SOLUTIONS LIMITED

B3, Bredon House 321, Tenttenhall Road Tettenhall, Wolverhampton

West Midlands, WV6 0JZ United Kingdom

Ph:+44-1902-793383, Email: sales@vantagesecurity.com

www.vantagesecurity.com

(AN ISO 9001 : 2008, ISO 14001 : 2004 CERTIFIED COMPANY)

