

ULTRA HIGH DEFINITION 16MP IP FISHEYE CAMERA

VV- NC916716PD- AF3IR1T1 360° PANORAMIC CAMERA



FEATURES

Ultra High Definition 16MP (4096X1800x2) resolution

True starlight technology (0.008lux@F2.0 AGC on)

Recognizes max 300 faces/sec within a public area (314 m²) or 10m in radius

Inbuilt True WDR 120dB, 3D DNR, BLC, HLC functions

5 zones of e-PTZ, 8 zone of privacy masks, & custom logo support

Alarm driven by multi-rules: people density limit, mask-wearing state, cross line, intrusion, device error

IP67 Weather Proof Indoor Enclosure



TECHNICAL SPECIFICATIONS

VV- NC916716PD- AF3IR1T1

Camera	Image sensor	1/2.8" Progressive Scan CMOS Sensor x8
	Signal System	PAL/NTSC
	Effective Pixels	4096 (H) x 1800 (V)
	Minimum Illumination	Color:0.008Lux@(F1.2,AGC ON) B/W:0.008Lux@(F1.2,AGC ON), 0Lux@(IR LED ON)
	Electronic Shutter Speed	1/1 s - 1/10,000 s
	Gain Control	Auto/ Manual
	White Balance	Auto/Manual/Indoor/Outdoor
	Signal to Noise	> 55 dB
Lens	Lens Type	3.3 mm Lens x8
	FOV	Horizontal FOV: 2x180°(360°);Vertical FOV: 85°
	Aperture	F2.0
Day/Night Functionality	Day & Night	True Day & Night with ICR
	IR Range	Up to 30 mtr
Compression	Video compression	H.265 / H.264 / MJPEG
	H.265 codec profile	Main Profile
	Audio Compression	G.711 A/U
	Audio Bit Rate	64kbps (G.711), 128kps (RAW_PCM)
	Video Bit Rate	5 Kbps ~ 16Mbps
Resolution and Frame Rate	Max. Resolution	4096 x1800x2, 25/30fps
	Main Stream	4096 x 1800 , 3840 x 1680 , 2784 x 1200 (1~30fps)
	Sub Stream	2048 x 896, 1280 x 560 , 704 x 320 (1~30fps)
	Third Stream	704 x 320, 512 x 232 (1~30fps)
Operational Features	Wide Dynamic Range	120dB WDR
	HLC	Supported
	DNR	Inbuilt 3D DNR (Digital Noise Reduction) circuit
	Image settings	Flip, Mirror, Saturation, Brightness, Contrast, Sharpness, AGC, and AWB adjusted by client software/browser
	BLC	Supported
	Defog	Electronical
	Privacy Masking	8 Programmable privacy masks
	Digital Zoom	16x
	Picture overlay	Logo picture could be overlaid on video with 128x128pixels,24bits BMP format(TBC)
	Electronic Image Stabilization(EIS)	Supported
	Security Measures	User authentication (ID and PW), Host authentication (MAC address); HTTPS encryption, IEEE802.1x port-based network access control; IP address filtering
	Onboard Storage	Built-in memory card slot, support microSD/SDHC/SDXC, up to 256G
	Alarm Trigger	Upload to FTP/Memory card, notify surveillance center, send email, trigger alarm output, trigger recording, trigger capture

TECHNICAL SPECIFICATIONS

VV- NC916716PD- AF3IR1T1

Network & Remote Monitoring	Protocols	HTTP, HTTPS, IPv4/IPv6, 802.1x, QoS, FTP, SMTP, UPnP, SNMP, DNS, DDNS, NTP, RTSP, RTCP, RTP, TCP/IP, UDP, IGMP, ICMP, DHCP, PPPoE
	System compatibility	ONVIF
	CMS	Full function CMS (Central monitoring software)
	Mobile Client Application	Supports android and iOS APP for Smart phone and tablets
	Bandwidth control	CBR / VBR
	User Access	16 Users
	Web Browser	IE 8-11 (NOT Support Safari /Firefox /Chrome)
	USB3.0	Support 3rd Party algorithm USB dongle
	Fiber Optical	(Optional) Single fiber, Tx1310nm/1.25G, Rx1550nm/1.25G, 20km
	GIS	Built-in GPS/GLONASS /BDS sensor ,support 3rd party e-map protocol
	RS 485	Pelco-D / P protocol, custom protocols
Analytics Features	Basic event	Motion detection (panorama and original modes support), video tampering alarm, exception (network disconnected, IP address conflict, SD full, SD error)
	Face recognize	Max 300 human faces per second (default off)
	Face compare	Default off
	People Density Statics	Yes (only the panorama mode support)
	Smart Detection	Intrusion detection, line crossing detection, region entrance/region exiting detection
	ePTZ	5 Zones, auto trace movable objects and zoom fit
Interface	Ethernet	1 RJ45 10M/100M/1000M Adaptive Ethernet (Support PoE 802.3.bt)
	Power Input	Standard DC Jack
	Alarm Input/Output	2/2 CH
	Audio Input/Output	1/1 CH
Electrical	Power Requirement	AC24V, DC24V, PoE++ (802.3.bt, class 6)
	Power Consumption	Max 50W, include IR and Heater on
Environmental	Enclosure	IP67, 6000V Lightning Protection, Surge Protection and Voltage Transient Protection
	Power Consumption	Max 50W, include IR and Heater on
	Impact Protection	IK10
	Operating Temperature	-40°C to + 65°C
	Operating Humidity	95% or less (non-condensing)
Mechanical	Material	Aluminum Alloy; PC + GF
	Dimensions	Φ 273mm x H 180mm
	Weight	Approx. 3Kg
Certifications	Certifications	CE, FCC, RoHS

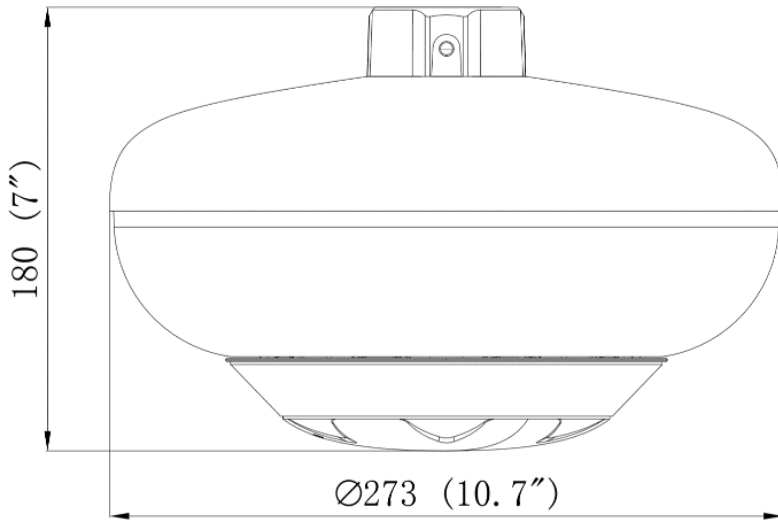
*Exact products and specifications shown may vary by geographic region and are subject to change without notice. Product image, weights and measurements are approximate and may vary.

TECHNICAL SPECIFICATIONS

VV- NC916716PD- AF3IR1T1

DIMENSIONS

Unit: mm



VANTAGE INTEGRATED SECURITY SOLUTIONS LIMITED

B3, Bredon House 321, Tenttenhall Road Tetterhall, Wolverhampton

West Midlands, WV6 0JZ United Kingdom

Ph:+44-1902793383, Email: sales@vantagesecurity.com

www.vantagesecurity.com

(AN ISO 9001 : 2008, ISO14001 : 2004 CERTIFIED COMPANY)

