

FULL-COLOR HIGH DEFINITION 5MP ANALOG BULLET CAMERA

VV-AC5M79PB-M10F3T1 IR NIGHT VISION FIXED CAMERA



FEATURES

5 Megapixel Full color HD resolution (2560x1936 pixels)

1/2.5" Progressive Scan CMOS sensor

AHD/TVI/CVI camera supported

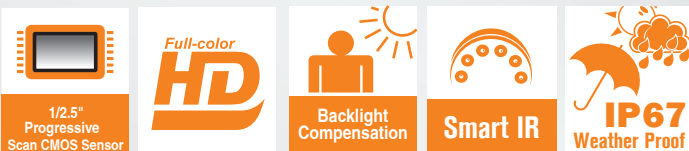
Inbuilt IR LEDs for 20 mtr IR range

High performance IR Cut mechanical filter for True Day & night vision

Up to 1500 TVL resolution

High performance IR with intensity control

IP67 Weather proof outdoor enclosure



TECHNICAL SPECIFICATIONS

VV-AC5M79PB-M10F3T1

| | | |
|-------------------------|--------------------------|--|
| Camera | Image sensor | 1/2.5" Progressive Scan CMOS Sensor |
| | Signal System | PAL/NTSC |
| | Effective Pixels | 2560 (H) x 1936 (V) |
| | Frequency | PAL / NTSC |
| | Image Resolution | 5 Megapixel |
| | Minimum Illumination | 0 Lux at IR on |
| | Signal to Noise | ≥52dB |
| | Shutter Time | Auto |
| | Gain Control | Auto |
| | White Balance | Auto / Manual |
| | Angle Adjustment | Pan: 0°~360°; Tilt: 0°~80°; Rotation: 0°~360° |
| Lens | Lens Type | 3.6 lens |
| | Lens Mount | M12 |
| Day/Night Functionality | Day & Night | True Day & Night |
| | IR Cut | High performance Mechanical IR Cut Filter with auto switch |
| | IR Source | High performance IR LEDs with intensity control |
| | IR Range | Up to 20 Mtrs |
| Operational Features | Wide Dynamic Range (WDR) | Digital WDR |
| | Smart LED | Manual or Auto mode |
| | Frame Rate | 5MP@20fps/4MP@30fps |
| | OSD Menu | Supported |
| | Digital DNR | Supported 2D DNR |
| | BLC | Supported |
| | Global Exposure | Supported |
| | Image Setting | Supported |
| Defect Correction | Supported | |
| Interface | Video Output | AHD / TVI /CVI Video output |
| | Power Input | Standard DC Jack |
| | Audio | 1CH built-in MIC |
| Electrical | Power Requirement | DC 12V (± 15%) |
| | Power Consumption | <3 W with IR on |
| Environmental | Enclosure | IP67 Weather proof outdoor enclosure |
| | Mounting bracket | Integrated mounting bracket with cable management |
| | Operating Temperature | -10°C to + 40°C |
| | Operating Humidity | 90% or less (non-condensing) |
| Mechanical | Color | White |
| | Dimensions | 162.1x 74. 8 x 73.8mm |
| | Weight | Approx. 0.37KG |
| Certification | Certification | CE, FCC, RoHS |

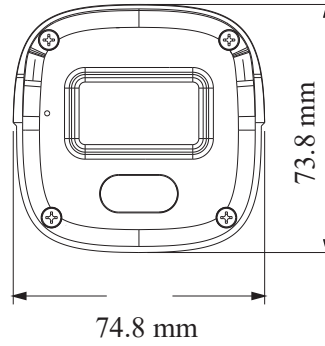
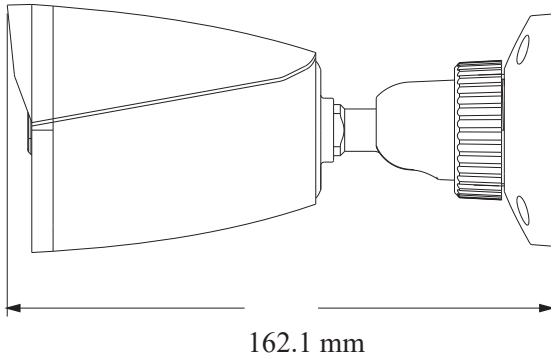
*Exact products and specifications shown may vary by geographic region and are subject to change without notice. Weights and measurements are approximate and may vary.

TECHNICAL SPECIFICATIONS

VV-AC5M79PB-M10F3T1

DIMENSIONS

Unit: mm



VANTAGE INTEGRATED SECURITY SOLUTIONS LIMITED

B3, Bredon House 321, Tenttenhall Road Tettenhall, Wolverhampton

West Midlands, WV6 0JZ United Kingdom

Ph:+44-1902793383, Email: sales@vantagesecurity.com

www.vantagesecurity.com

(AN ISO 9001 : 2008, ISO14001 : 2004 CERTIFIED COMPANY)

