

HIGH DEFINITION DIGITAL VIDEO RECORDER

VV-DV4616-1ST1 16CH Hybrid DVR



FEATURES

High performance cloud technology DVR

16 CH DVR supports CH 1080P / 960P / 720P IP video input by default

16CH analog video input can be switched to 16CH IP video input

Multi-mode recording: manual / timed / motion / AI recording

Pentaplex: preview, record, playback, backup and remote access

16CH simultaneously playback

Pentaplex: preview, record, playback, backup and remote access

Authorization management, log review and device status review

Powerful mobile surveillance by smart phones with iOS and Andriod OS



TECHNICAL SPECIFICATIONS

VV-DV4616-1ST1

System	Operating System	Embedded Linux Operating System
	Multiplex Operations	Multi-channel real-time recording, playback, network operation, USB backup
	User interface	16-bit true new color graphical menu interface and mouse operation
Bandwidth	Incoming Bandwidth	16Mbps
	Outgoing Bandwidth	80Mbps
Interface	Analog Video Input	BNC x16 BNC interface (1.0Vp-p; 75Ω) TVI/ AHD/CVI: 1080P/ 1080P Lite/ 720P/ 720P Lite/WD1
	Video Input	16-ch Composite video 1.0 Vp-p, 75 ohm
	Audio Input	1-ch Line in RCA input (1 kΩ)
	Two-way Audio	Take up channel one audio input
	VGA Video Output	Resolution: VGA x 1 : 1920 x 1080 / 1280 x 1024 / 1024 x 768
	HDMI Video Output	Resolution: HDMI x 1 :1920 x 1080 / 1280 x 1024 / 1024 x 768
	BNC Video Output	Resolution: BNCx 1 :CVBS(used as the main or spot output)
	Audio Output	1-ch Line in RCA
	Network	RJ45 10M/100M self-adaptive Ethernet port
	Multi-Screen Display	1/4/6/8/9/13/16/25
	USB	2 x 2.0 USB interface (for backup, firmware upgrade and mouse interface)
Compression	Video Compression	H.264/H.265
	Audio Compression	G.711(U/A)
	Bit Rate	32Kbps ~ 4Mbps
Resolution & Frame Rate	Recording	1080P Lite/ 720P/ 720P Lite/WD1
	Playback	16 ch
	Frame Rate	Analog Channel: 1080P Lite/720P/WD1:25fps (PAL)/30fps (NTSC) (only CH 1 supports) 1080P Lite/720P/WD1:12fps (PAL)/15fps (NTSC) (other channels support) 720P Lite: 25fps(PAL) / 30fps (NTSC) IP Channel: 25fps(PAL) / 30fps (NTSC)
Network & Remote Monitoring	Cloud Monitoring	Supported
	DDNS	Dynamic and Static IP support
	Protocols Supported	TCP / IP, PPPoE, DHCP, DNS, DDNS, UPnP, HTTP, HTTPS, NTP, SMTP
	CMS	Full function CMS (Central monitoring software)
	Client Connection	Max. 10 users access
	Mobile Client Application	Supports android and iOS APP for Smart phone and tablets
	Bandwidth Control	VBR (Automatic) and CBR (Manual) supported

TECHNICAL SPECIFICATIONS

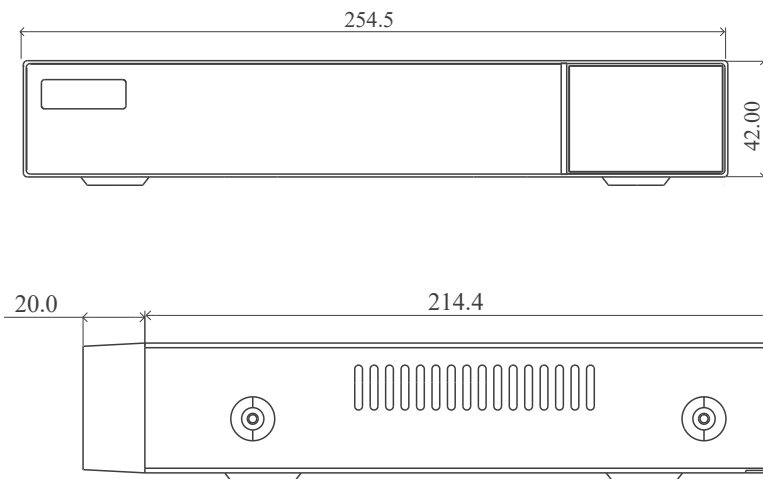
WV-DV4616-1ST1

	Playback Function	Play, pause, FF, FB, digital zoom, etc.
	Search Mode	Time slice / time / event / tag search/
	Smart Search	Highlight colors to display the camera record in a certain period of time, different colors refer to different record events
	Alarm Notifications	DVR, FTP, Email notification supported
Recording & Storage	Recording Mode	Manual, motion, exception, smart event
	Storage	1 SATA port up to 8TB
General	Power Supply	DC12V / 2A
	Power Consumption	<10W (Hard disk not included)
	Operating temperature	-10°C to + 50°C
	Working Humidity	90% or less (non condensing)
	Dimensions	255 x 234 x 42mm (W x D x H)
	Weight	1.45kg (without hard disk)
Certifications	Certifications	CE, FCC, ROHS

*Exact products and specifications shown may vary by geographic region and are subject to change without notice. Product image, weights and measurements are approximate and may vary due to customized solutions & products being offered as per customer requirements.

DIMENSIONS

Unit: mm



VANTAGE INTEGRATED SECURITY SOLUTIONS LIMITED

B3, Bredon House 321, Tenttenhall Road Tettenhall, Wolverhampton

West Midlands, WV6 0JZ United Kingdom

Ph: +44-1902793383, Email: sales@vantagesecurity.com

www.vantagesecurity.com

(AN ISO 9001 : 2008, ISO14001 : 2004 CERTIFIED COMPANY)

