

ULTRA HIGH DEFINITION H.265 5MP IP DOME CAMERA

VV-NC1425D-ZIRT1 IR NIGHT VISION MOTORIZED VARIFOCAL CAMERA



FEATURES

- Ultra High Definition 5MP(2592 x 1944) resolution
- H.265 video compression technology with real time encoding
- Inbuilt 30 pcs. High intensity Smart IR LEDs with intensity control
- Inbuilt SD card slot supported up to 128GB
- IK10 Vandal Proof metal Dome Enclosure
- Support triple streams
- Two way audio Supported
- Inbuilt True 120db WDR, 3D DNR & BLC functions
- IP66 Weather proof Indoor enclosure



TECHNICAL SPECIFICATIONS

WV-NC1425D-ZIRT1

Camera	Image sensor	1/3" Progressive Scan CMOS Sensor
	Signal System	PAL/NTSC
	Effective Pixels	2592 (H) x 1944 (V)
	Minimum Illumination	Color : 0.01Lux @ F1.2, 0.015 lux @ F1.4, B&W: 0 Lux at IR on
	Electronic Shutter Speed	1/25s (1/30s) ~ 1/100,000s
	Gain Control	Auto
	White Balance	Auto
	Signal to Noise	> 62 dB
	Auto Iris	DC Drive
Lens	Lens Type	2.8mm to 12mm Motorized Varifocal Lens
	Lens Mount	Φ14
	Focus	Auto
	Zoom	Motorized Optical Zoom Adjustment
Day/Night Functionality	Day & Night	True Day & Night with ICR
	IR Cut	High performance Mechanical IR Cut Filter with auto switch
	IR Source	Inbuilt 30 Pcs. High intensity Smart IR LEDs with intensity control
	IR Range	35 Mtr.
	IR Life	40000 Operation Hours
Compression	Video compression	H.265 / H.264 / MJPEG
	H.264 codec profile	Main profile
	Video Bit Rate	64 Kbps ~ 10 Mbps
	Audio compression	G.711A
	Audio Bit Rate	64 Kbps
Resolution and Frame Rate	Max. Resolution	2592 x 1944
	Frame rate	50Hz: 25fps (2592 x 1944), 25fps (2560 x1440), 25fps (1920 x 1080), 25fps (1280 x 720) 60Hz: 30fps (2592 x 1944), 30fps (2560 x1440), 30fps (1920 x 1080), 30fps (1280 x 720)
Operational Features	Wide Dynamic Range (WDR)	120dB
	Backlight compensation	Yes, zone configurable
	DNR	Inbuilt 3D DNR (Digital Noise Reduction) circuit
	Codec streaming capability	Triple streaming
	Image settings	Saturation, Brightness, Chroma, Contrast, Wide Dynamic, Sharpen, NR,etc. adjustable through client software or web browser
	Security	User Authentication
	Onboard Storage	Storage Built-in Micro SD / SDHC / SDXC card slot, up to 128 GB
	Alarm trigger	Motion Detection, Tampering Alarm
Network & Remote Monitoring	Protocols	TCP / IP, UDP, DHCP, NTP, RTSP, PPPoE, DDNS,SMTP, FTP
	System compatibility	ONVIF
	CMS	Full function CMS (Central monitoring software)
	Mobile Client Application	Supports android and iOS APP for Smart phone and tablets
	Bandwidth control	VBR (Automatic) and CBR (Manual) supported
	Network Storage	NAS
	Interface	
Interface	Ethernet	1 RJ45 10/100/1000 Ethernet port
	Power Input	Standard DC Jack
	Audio Input	1 x Mic Input
	Audio Output	1 x Speaker Output
	Alarm Input	1
	Alarm Output	1

TECHNICAL SPECIFICATIONS

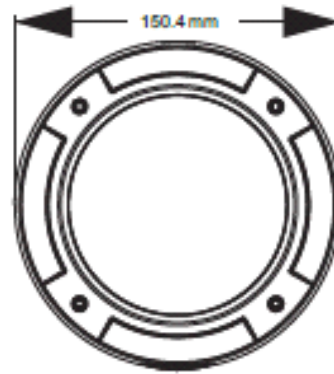
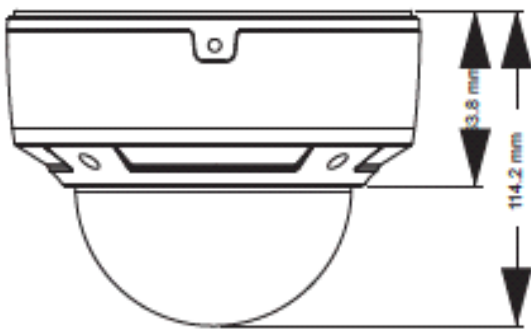
WV-NC1425D-ZIRT1

Electrical	Power Requirement	12 VDC \pm 10% , PoE (802.3af)
	Power Consumption	Max. 6W
Environmental	Enclosure	Vandal Proof metal Dome Enclosure
	Operating Temperature	-30°C to + 60°C
	Operating Humidity	95% or less (non-condensing)
	Impact Protection	Up to IK10
Mechanical	Color	White
	Dimensions	150.4 x 114.2 mm
	Weight	990g
Certifications	Certifications	CE, FCC, RoHS

*Exact products and specifications shown may vary by geographic region and are subject to change without notice. Weights and measurements are approximate and may vary.

DIMENSIONS

Unit: mm



VANTAGE INTEGRATED SECURITY SOLUTIONS LIMITED

B3, Bredon House 321, Tenttenhall Road Tettenhall, Wolverhampton

West Midlands, WV6 0JZ United Kingdom

Ph: +44-1902793383, Email: sales@vantagesecurity.com

www.vantagesecurity.com

(AN ISO 9001 : 2008, ISO14001 : 2004 CERTIFIED COMPANY)

