

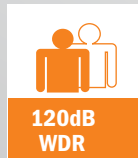
ULTRA HIGH DEFINITION 8MP IP DOME CAMERA

VV-NC41178D-AZIR2T1 IR NIGHT VISION MOTORIZED ZOOM CAMERA



FEATURES

- Ultra high definition 8MP (3840 x 2160) resolution
- H.265+ video compression technology with real time encoding
- Inbuilt 120dB WDR, 3D DNR, HLC, ROI, Defog & BLC functions
- Support triple streams
- High performance IR Cut mechanical filter for true day & night vision
- Inbuilt smart analytics features
- Built-in micro SD card slot, up to 256GB
- IP67 weather proof outdoor enclosure



TECHNICAL SPECIFICATIONS

VV-NC41178D-AZIR2T1

Camera	Image sensor	1/2.8" Progressive Scan CMOS Sensor
	Signal System	PAL/NTSC
	Effective Pixels	3840 (H) x 2160 (V)
	Minimum Illumination	Color : 0.02 lux@F1.6, AGC ON; 0 lux with IR
	Electronic Shutter Speed	1 / 2 s ~ 1 / 100000 s
	Gain Control	Auto
	Signal to Noise	> 50 dB
	Iris	DC Iris
Lens	Lens Type	2.8~12mm@F1.6, motorized lens
	Lens Mount	Ø14
	FoV	Horizontal:99°~33°; Vertical :53°~17°; Diagonal:117°~37°
	Focus	Motorized
Day/Night Functionality	Day & Night	True day & night with ICR
	IR Cut	High performance Mechanical IR Cut Filter with auto switch
	IR Source	Inbuilt High intensity Smart IR LEDs with intensity control
	IR Range	30~50 Mtr.
Compression	Video compression	H.265+ / H.265 / H.264+ / H.264 / MJPEG
	H.264 codec profile	Baseline Profile/Main Profile/High Profile
	Audio Compression	G711A / U
	Video Bit Rate	64 Kbps ~ 12 Mbps
Resolution and Frame Rate	Max. Resolution	8MP (3840 x 2160), 6MP(3072 x 2048),5MP(2592 x 1944), 4MP (2592 x 1520), 2K(2560 x 1440), 3MP(2304 x 1296), 1080P (1920 x 1080), 720P (1280 x 720), D1, CIF, 480 x 240
	Main Stream	50Hz : 8MP(1~20fps)/6MP/5MP/4MP/2K/3MP/1080P/720P(1~25fps) 60Hz : 8MP(1~20fps)/6MP/5MP/4MP/2K/3MP/1080P/720P(1~30fps)
	Sub Stream	50Hz: 720P/D1/480 x 240(1~25fps) 60Hz: 720P(1~12fps)/D1/480 x 240(1~30fps)
	Third Stream	50Hz: 720P/D1/CIF/480 x 240 (1~25fps) 60Hz: 720P/D1/CIF/480 x 240 (1~30fps)
Operational Features	HLC	Supported
	Wide Dynamic Range (WDR)	120dB
	Backlight Compensation	Supported
	Defog	Supported
	DNR	Inbuilt 3D DNR (Digital Noise Reduction) circuit
	Codec Streaming Capability	Triple streaming
	Image Settings	ROI, Saturation, Brightness, Hue, Contrast, Wide Dynamic, Sharpness, Image Mirror, Image Flip, NR, etc. adjustable through client software or web browser
	General Function	Watermark, video mask, heartbeat, corridor pattern
	Onboard Storage	Built-in Micro SD / SDHC / SDXC card slot, up to 256 GB
	ROI	Each ROI to be configured separately
	Alarm Trigger	Motion detection; sensor alarm, SD card error; SD card full, IP address conflict, cable disconnection
Security	Video encryption, firmware encryption, HTTPs encryption, configuration encryption, illegal login lock, IP address filtering, 802.1x authentication, basic and digest authentication for HTTP/HTTPs	
Network & Remote Monitoring	Protocols	UDP, IPv4, IPv6, DHCP, NTP, RTSP, RTP, RTMP, RTCP, PPPoE, DDNS, SMTP, FTP, SNMP, HTTP, HTTP POST, 802.1x, UPnP, HTTPs, QoS
	System Compatibility	ONVIF
	CMS	Full function CMS (Central monitoring software)

TECHNICAL SPECIFICATIONS

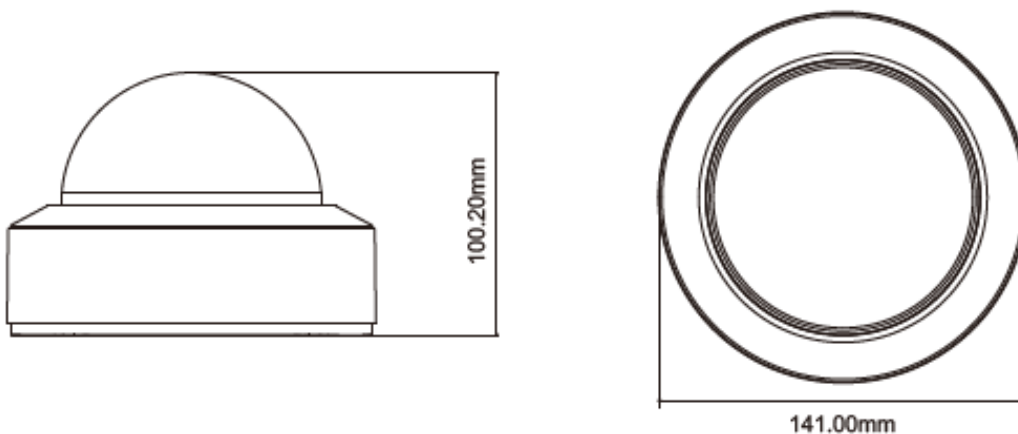
WV-NC41178D-AZIR2T1

	Mobile Client Application	Supports android and iOS APP for Smart phone and tablets
	Bandwidth Control	VBR (Automatic) and CBR (Manual) supported
	Network Storage	NVR/CMS
	Web Browser	IE11(plug-in required)/Chrome 89.0+ /Edge 89.0+ /Firefox 87.0+ /Safari 14.0+
	Online Connection	Support simultaneous monitoring for up to 10 users; Support multi-stream real time transmission
Analytics Feature	Smart Features	Scene change, video blur detection, abnormal color detection , line crossing detection, intrusion detection
Interface	Ethernet	1 RJ45 10M/100M Ethernet port
	Video Output	CVBS output (BNCx1)
	Audio	1CH audio input; 1CH audio output; 1CH built-in MIC
	Alarm	1CH alarm input; 1CH alarm output
	Reset	Yes , supported
Electrical	Power Requirement	DC12V, PoE (IEEE802.3af)
	Power Consumption	Max. 10.5W
Environmental	Enclosure	IP67 Weather proof outdoor enclosure
	Impact Protection	IK10
	Operating Temperature	-30°C to + 60°C
	Storage Temperature	-30°C to + 65°C
	Operating Humidity	95% or less (non-condensing)
Mechanical	Color	White
	Dimensions	Φ 141 × 100.2
	Weight	Approx. 0.91KG
Certifications	Certifications	CE, FCC, RoHS

*Exact products and specifications shown may vary by geographic region and are subject to change without notice. Product image, weights and measurements are approximate and may vary.

DIMENSIONS

Unit: mm



VANTAGE INTEGRATED SECURITY SOLUTIONS LIMITED

B3, Bredon House 321, Tenttenhall Road Tettenhall, Wolverhampton

West Midlands, WV6 0JZ United Kingdom

Ph: +44-1902793383, Email: sales@vantagesecurity.com

www.vantagesecurity.com

(AN ISO 9001 : 2008, ISO14001 : 2004 CERTIFIED COMPANY)

