

# ULTRA HIGH DEFINITION 8MP IP BULLET CAMERA

**VV-NC41768B-AF3WLIR2T1**  
FULL COLOR DUAL ILLUMINATION FIXED CAMERA



**COLOR ON**  
CAMERAS

## FEATURES

Ultra high definition 8MP ( 3840 x 2160) resolution

1/2.8" progressive scan CMOS sensor

Dual night vision modes with smart IR LED and white LED supplementary light

High performance IR cut mechanical filter for True Day & Night vision

Inbuilt 120dB WDR, 3D DNR, HLC, BLC, defog & ROI functions

Support triple streams

Inbuilt smart analytics supported

IP67 weather proof outdoor enclosure



## TECHNICAL SPECIFICATIONS

### VV-NC41768B-AF3WLIR2T1

Camera	Image Sensor	1/2.8" progressive scan CMOS sensor
	Signal System	PAL/NTSC
	Effective Pixels	3840 (H) × 2160 (V)
	Minimum Illumination	Color : 0.02 lux @F1.6, AGC ON; 0 lux with illumination on
	Electronic Shutter Speed	1 / 3s ~ 1 / 100000s
	Gain Control	Auto
	Signal to Noise	> 50 dB
	Iris	Fixed
	Lens Type	3.6mm fixed lens (2.8mm optional )
	Lens Mount	M12
	Focus	Fixed
	Field of View	H.FoV: 90°; V.FoV: 47°; D.FoV:107°
Day/Night Functionality	Day & Night	True Day & Night with ICR
	IR Cut	High performance Mechanical IR Cut Filter with auto switch
	IR Source	Inbuilt Smart IR LEDs with intensity control
	IR & White light Range	IR range: 30 ~ 50 m, white light range: 30 ~ 40 m
Compression	Video Compression	H.265+ / H.265 / H.264+ / H.264 / MJPEG
	H.265 codec profile	Main Profile@Level4.1 High Tier
	Audio Compression	G711A / U
	Video Bit Rate	64Kbps ~ 12Mbps
Resolution and Frame Rate	Max. Resolution	8MP(3840×2160),6MP(3200×1800), 4MP(2688×1520), 2K(2560×1440), 1080P (1920×1080), 720P (1280×720), D1, VGA (640×480), 640× 360, 480× 240, CIF
	Main Stream	50Hz: 8MP(1~20fps) /6MP/4MP/2K/1080P (1~25fps) 60Hz: 8MP(1~20fps) /6MP/4MP/2K/1080P (1~30fps)
	Sub Stream	720P/D1/VGA/640×360/CIF/480× 240 (60Hz: 1~30fps; 50Hz: 1~25fps)
	Third Stream	720P/D1/640×360/CIF (60Hz: 1~30fps; 50Hz: 1~25fps)
Operational Features	Wide Dynamic Range (WDR)	120dB
	Defog	Supported
	BLC	Supported
	ROI	Each ROI to be configured separately
	HLC	Supported
	DNR	Inbuilt 2D/3D DNR (Digital Noise Reduction) circuit
	Codec Streaming Capability	Triple streaming
	Image Settings	ROI, Saturation, Brightness, Hue, Contrast, Wide Dynamic, Sharpness, Image Flip, Image Mirror, NR, etc. adjustable through client software or web browser
	Alarm Trigger	Motion detection, SMD, SD card full, SD card error, IP address conflict, cable disconnection, video exception (scene change, video blur and abnormal color detection)
	Onboard Storage	Built-in Micro SD/SDHC/SDXC slot, up to 256 GB
	Security	Video encryption, firmware encryption, HTTPs encryption, configuration encryption, illegal login lock, IP address filtering, 802.1x authentication, basic and digest authentication for HTTP/RTSP
General Function	Watermark, IP address filtering, video mask, heartbeat, smart supplement light, corridor pattern, image distortion correction, ANR, cloud upgrade	
Network & Remote Monitoring	Protocols	UDP, IPv4, IPv6, DHCP, NTP, RTSP, RTP, RTCP, PPPoE, DDNS, SMTP, FTP, SNMP,HTTP, 802.1x, UPnP, HTTPs, QoS
	System Compatibility	ONVIF
	CMS	Full function CMS ( Central monitoring software)
	Mobile Client Application	Supports android and iOS APP for Smart phone and tablets
	Web Browser	IE11(plug-in required)/Chrome 89.0+/Edge 89.0+/Firefox 87.0+/ Safari 14.0+
	Bandwidth Control	VBR (Automatic) and CBR (Manual) supported
Online Connection	Support simultaneous monitoring for up to 10 users; Support multi-stream real time transmission	

## TECHNICAL SPECIFICATIONS

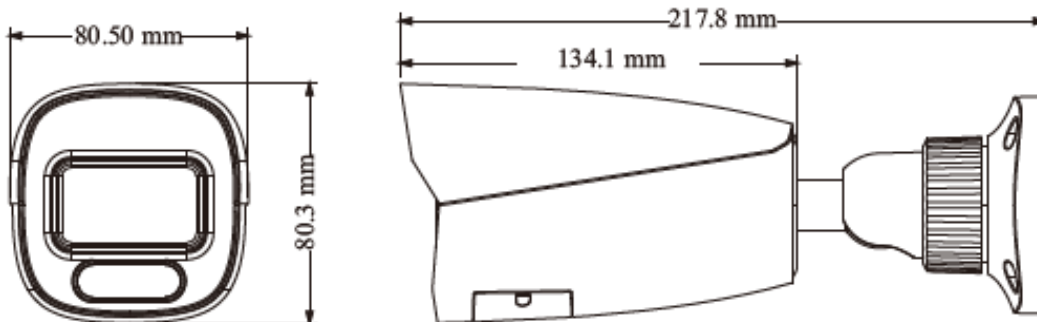
### WV-NC41768B-AF3WLIR2T1

Analytics Feature	Smart Features	Line crossing /region intrusion detection(human/motor vehicle/non-motor vehicle classification), abandoned/missing object detection
Interface	Ethernet	1 RJ45 10 self-adaptive ethernet port
	Power Input	Standard DC Jack
	Audio	1CH audio input; 1CH built-in MIC
	Reset	Yes, supported
Electrical	Power Requirement	12 VDC/ PoE (IEEE802.3af)
	Power Consumption	Max. <12 W
Environmental	Enclosure	IP67 Weather proof outdoor enclosure
	Mounting bracket	Optional brackets available
	Operating Temperature	-30°C to + 60°C
	Storage Temperature	-30°C to + 65°C
	Operating Humidity	95% or less (non-condensing)
Mechanical	Color	White
	Dimensions	217.7 × 80.5 × 80.3
	Weight	Approx. 0.68KG
Certifications	Certifications	CE, FCC, RoHS

\*Exact products and specifications shown may vary by geographic region and are subject to change without notice. Product image, weights and measurements are approximate and may vary due to customized solutions & products being offered as per customer requirements.

## DIMENSIONS

Unit: mm



## VANTAGE INTEGRATED SECURITY SOLUTIONS LIMITED

B3, Bredon House 321, Tenttenhall Road Tettenhall, Wolverhampton

West Midlands, WV6 0JZ United Kingdom

Ph:+44-1902793383, Email: sales@vantagesecurity.com

[www.vantagesecurity.com](http://www.vantagesecurity.com)

(AN ISO 9001 : 2008, ISO14001 : 2004 CERTIFIED COMPANY)

