

FULL HIGH DEFINITION 2MP IP DOME CAMERA

VV-NC91172D-AF3IR1T1 IR NIGHT VISION FIXED DOME CAMERA



FEATURES

Full High Definition 2MP (1920 x 1080) resolution

H.265 video compression technology with real time encoding

Inbuilt High intensity Smart IR LEDs with intensity control

Inbuilt True 120db WDR, 3D DNR,HLC, Defog & BLC functions

Support triple streams

Two way audio Supported

Inbuilt SD card slot supported up to 128GB

IP67 Weather proof outdoor enclosure



TECHNICAL SPECIFICATIONS

VV-NC91172D-AF3IR1T1

Camera	Image Sensor	1/2.8" Progressive Scan CMOS Sensor
	Signal System	PAL/NTSC
	Effective Pixels	1920 (H) x 1080 (V)
	Minimum Illumination	Color : 0.005 Lux @F1.6,AGC ON; 0 lux with IR
	Electronic Shutter Speed	1 / 25 s ~ 1 / 100000 s
	Gain Control	Auto
	White Balance	Auto
	Signal to Noise	> 52 dB
	Iris	DC Iris
Lens	Lens Type	3.6 mm Lens
	Lens Mount	M12
	Focus	Fixed
	Zoom	Digital Zoom
Day/Night Functionality	Day & Night	True Day & Night with ICR
	IR Cut	High performance Mechanical IR Cut Filter with auto switch
	IR Source	Inbuilt Smart IR LEDs with intensity control
	IR Range	Up to 30 Mtr.
Compression	Video compression	H.265+ / H.265 / H.264+ / H.264 / MJPEG
	H.265 codec profile	Main profile / Baseline profile / High Profile
	Audio Compression	G711A / G711U
	Video Bit Rate	128 Kbps ~ 8 Mbps
Resolution and Frame Rate	Max. Resolution	1920 x 1080
	Main Stream	50Hz: 25fps (1920 x 1080), 25fps (1280 x 720), 25fps (704 x 480) 60Hz: 30fps (1920 x 1080), 30fps (1280 x 720), 30fps (704 x 480)
	Sub / Third Stream	60Hz: 25fps (1280 x 720), 25fps (704 x 480), 25fps (352 x 240) 60Hz: 30fps (1280 x 720), 30fps (704 x 480), 30fps (352 x 240)
Operational Features	Wide Dynamic Range (WDR)	120dB
	Defog	Supported
	BLC	Supported
	ROI	Each ROI to be configured separately
	HLC	Supported
	DNR	Inbuilt 3D DNR (Digital Noise Reduction) circuit
	Codec streaming capability	Triple streaming
	Image settings	Saturation, Brightness, Chroma, Contrast, Wide Dynamic, Sharpen, NR, Antiflicker, etc. adjustable through client software or web browser
	Security	Watermark, IP address filtering, video mask, heartbeat, password protection, image distortion correction
	Onboard Storage	Built-in Micro SD / SDHC / SDXC card slot, up to 128 GB
	Alarm trigger	Motion detection, sensor alarm, SD card error, SD card full, IP address conflict, cable disconnection
Network & Remote Monitoring	Protocols	IPv4/IPv6, UDP, DHCP, NTP, RTSP, PPPoE, DDNS, SMTP, FTP, SNMP, UPnP, HTTPs, 802.1x, QoS
	System compatibility	ONVIF
	CMS	Full function CMS (Central monitoring software)
	Mobile Client Application	Supports android and iOS APP for Smart phone and tablets
Interface	Bandwidth control	VBR (Automatic) and CBR (Manual) supported
	Ethernet	1 RJ45 10/100 Ethernet port
	Power Input	Standard DC Jack
	Audio In/ Out	1/1
	Video Output	CVBS output (BNC x 1)
	Alarm In/ Out	1/1

TECHNICAL SPECIFICATIONS

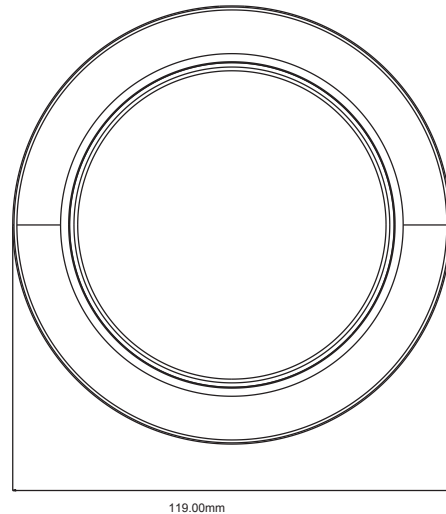
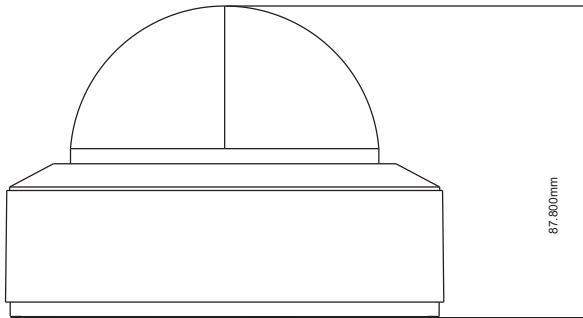
VP-NC91172D-AF3IR1T1

Smart Features	Smart Analytics	Line crossing, Intrusion detection, Object removal ,Abnormal video detection, Face capture
Electrical	Power Requirement	12 VDC \pm 10% , PoE (802.3af)
	Power Consumption	Max. <10W
Environmental	Enclosure	IP67 Weather proof outdoor enclosure
	Impact Protection	IK10
	Operating Temperature	-30°C to + 60°C
	Operating Humidity	95% or less (non-condensing)
Mechanical	Color	White
	Dimensions	Φ 119 \times 87.8mm
	Weight	Approx. 0.65KG
Certifications	Certifications	UL, CE, FCC, RoHS

*Exact products and specifications shown may vary by geographic region and are subject to change without notice. Product image, weights and measurements are approximate and may vary.

DIMENSIONS

Unit:
mm



VANTAGE INTEGRATED SECURITY SOLUTIONS LIMITED

B3, Bredon House 321, Tenttenhall Road Tettenhall, Wolverhampton

West Midlands, WV6 0JZ United Kingdom

Ph:+44-1902793383, Email: sales@vantagesecurity.com

www.vantagesecurity.com

(AN ISO 9001 : 2008, ISO14001 : 2004 CERTIFIED COMPANY)

