

ULTRA HIGH DEFINITION 8MP MULTI-LENS CAMERA

VV-NC91698PD-AF4IR1T1 360° PANORAMIC CAMERA



FEATURES

Ultra High Definition 8MP (3840X2160) resolution

One dome camera contains 4 modules, each to different direction, equal 4 separated IP-Camera

True starlight technology provides vivid color at most scenarios

Each module delivers max 2M (1080P@25/30fps) video stream

Inbuilt True WDR 120dB, 3D DNR, BLC, HLC functions

360°(H)×90°(V) circular IR illumination, up to 15m in radius

VCA: human/vehicle detection, intrusion, line crossing, etc

Alarm driven by multi-rules: cross line, intrusion, device error, etc



1/2.8"
Progressive
Scan CMOS Sensor



e-PTZ



SD Card



120dB
WDR



360°

TECHNICAL SPECIFICATIONS

VV-NC91698PD-AF4IR1T1

Camera	Image sensor	1/2.8" Progressive Scan CMOS Sensor x4CH
	Signal System	PAL/NTSC
	Effective Pixels	3840 (H) × 2160 (V)
	Minimum Illumination	Color:0.008Lux@(F2.0,AGC ON) B/W:0.0008Lux@(F2.0,AGC ON), 0Lux@(IR LED ON)
	Electronic Shutter Speed	1/1 s - 1/10,000 s
	Gain Control	Auto/ Manual
	White Balance	Auto/Manual/Indoor/Outdoor
	Signal to Noise	> 55 dB
Lens	Lens Type	4mm lens × 4CH, F2.0
	FOV	Horizontal FOV:90°; Vertical FOV: 50°
	Aperture	F2.0
Day/Night Functionality	Day & Night	True Day & Night with ICR
	IR Range	Up to 15 mtr
Compression	Video compression	H.265+/H.265/H.264+/H.264/MJPEG
	H.265 codec profile	Main Profile
	Audio Compression	G.711 A/U
Resolution and Frame Rate	Max. Resolution	3840x2160(1~30fps)
	Stream 0	Panoramic view: 3840x2160,2560x1440,1920x1080(1~30fps)
	Stream 1	CH1:1920x1080,1280x720,720x480(1~30fps)
	Stream 2	CH2:1920x1080,1280x720,720x480 (1~30fps)
	Stream 3	CH3:1920x1080,1280x720,720x480 (1~30fps)
	Stream 4	CH4:1920x1080,1280x720,720x480 (1~30fps)
Operational Features	Wide Dynamic Range	120dB WDR
	Digital Zoom	Supported
	DNR	Inbuilt 3D DNR (Digital Noise Reduction) circuit
	Image settings	Saturation, Brightness, Contrast, Sharpness, AGC, and AWB adjusted by client software/browser
	Privacy Masking	4CH × 1 Programmable privacy masks
	Picture overlay	Logo picture could be overlaid on video with 128x128pixels,24bits BMP format(TBC)
	ROI	Up to 4 regions configurable
	Simultaneous live view	Up to 6 channels
	Security Measures	User authentication (ID and PW), Host authentication (MAC address); HTTPS encryption, IEEE802.1x port-based network access control; IP address filtering
	Onboard Storage	Built-in memory card slot, support microSD/SDHC/SDXC, up to 256G
	Alarm Trigger	Upload to FTP/Memory card, notify surveillance center, send email, trigger alarm output, trigger recording, trigger capture
Network & Remote Monitoring	Protocols	HTTP, HTTPS, IPv4/IPv6, 802.1x, QoS, FTP, SMTP, UPnP, SNMP, DNS, DDNS, NTP, RTSP,RTCP, RTP, TCP/IP, UDP, IGMP, ICMP, DHCP, PPPoE
	System Compatibility	ONVIF
	CMS	Full function CMS (Central monitoring software)
	Mobile Client Application	Supports android and iOS APP for Smart phone and tablets
	Bandwidth Control	CBR / VBR
	User Access	Up to 16 users
Web Browser	IE8-11	

TECHNICAL SPECIFICATIONS

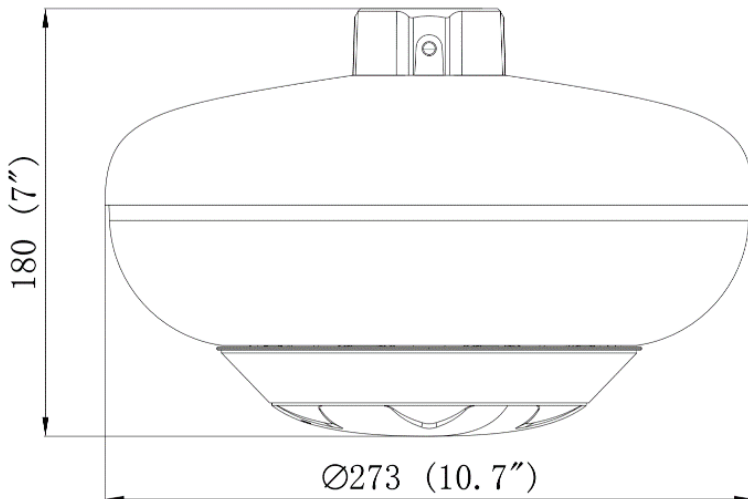
WV-NC91698PD-AF4IR1T1

Analytics Features	Basic event	Motion detection, video tampering alarm, exception (network disconnected, IP address conflict, SD full, SD error)
	Smart Detection	Up to 4 regions configurable: Human/vehicle detection and classification, Face comparison, Intrusion detection, Line crossing detection, Region entrance detection, Region exiting detection, Unattended baggage detection, Object removal detection, Scene change detection.
Interface	Ethernet	1 RJ45 10M/100M/1000M Adaptive Ethernet (Support PoE 802.3.bt)
	Power Input	Standard DC Jack
	Alarm Input/Output	2/2 CH
	Audio Input/Output	1/1 CH
Electrical	Power Requirement	AC24V,DC24V,PoE+ (802.3.at, class 4)
	Power Consumption	Max 50W, include IR and Heater on
Environmental	Enclosure	IP 66, IK10, 6000V Lightning Protection, Surge Protection and Voltage Transient Protection
	Power Consumption	Max 25W, include IR and Heater on
	Impact Protection	IK10
	Operating Temperature	-40°C to + 70°C
	Operating Humidity	95% or less (non-condensing)
Mechanical	Material	Aluminum Alloy; PC
	Dimensions	Φ 273mm x H 180mm
	Weight	Approx. 2.1Kg
Certifications	Certifications	CE, FCC, RoHS

*Exact products and specifications shown may vary by geographic region and are subject to change without notice. Product image, weights and measurements are approximate and may vary.

DIMENSIONS

Unit: mm



VANTAGE INTEGRATED SECURITY SOLUTIONS LIMITED

B3, Bredon House 321, Tenttenhall Road Tetterhall, Wolverhampton

West Midlands, WV6 0JZ United Kingdom

Ph:+44-1902793383, Email: sales@vantagesecurity.com

www.vantagesecurity.com

(AN ISO 9001 : 2008, ISO14001 : 2004 CERTIFIED COMPANY)

