

# FULL HIGH DEFINITION 6MP IP DOME CAMERA

**VV-NC91846D-AF3WLIRT1**  
FULL COLOR DUAL ILLUMINATION FIXED CAMERA



**COLOR ON**  
CAMERAS

## FEATURES

Full color high definition 6MP( 3200 x 1800) resolution

1/2.5" progressive scan CMOS sensor

Dual night vision modes with smart IR LED and white LED supplementary light

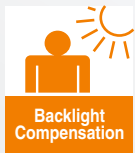
High performance IR cut mechanical filter for true day & night vision

Inbuilt 120dB WDR, 3D DNR, HLC, BLC & ROI functions

Support triple streams

Inbuilt smart analytics supported

IP67 Weather proof outdoor enclosure



## TECHNICAL SPECIFICATIONS

# VV-NC91846D-AF3WLIRT1

Camera	Image Sensor	1/2.5" progressive scan CMOS sensor
	Signal System	PAL/NTSC
	Effective Pixels	3200 (H) × 1800 (V)
	Minimum Illumination	Color : 0.008 lux @F1.6, AGC ON; 0 lux with illumination on
	Electronic Shutter Speed	1 / 4 s ~ 1 / 100000s
	Gain Control	Auto
	Signal to Noise	> 50 dB
	Iris	Fixed
Lens	Lens Type	3.6mm@F1.6 (2.8mm optional)
	Lens Mount	M12
	Focus	Fixed
	FOV	Horizontal FoV:78°;Vertical FoV:38°;Diagonal FoV:94°
Day/Night Functionality	Day & Night	True Day & Night with ICR
	IR Cut	High performance Mechanical IR Cut Filter with auto switch
	IR Source	Inbuilt Smart IR LEDs with intensity control
	White Light Range	IR range: 20 ~ 30 m; white light range:20 ~ 30 m
Compression	Video Compression	H.265+ / H.265 / H.264+ / H.264 / MJPEG
	H.265 Codec Profile	Main Profile@Level4.1 High Tier
	Audio Compression	G711A/U
	Video Bit Rate	64 Kbps ~ 8 Mbps
Resolution and Frame Rate	Max. Resolution	6MP ( 3200 × 1800 ), 4MP ( 2688× 1520), 1080P ( 1920 × 1080 ), 720P ( 1280 × 720 ), D1, VGA (640× 480), 480× 240, CIF
	Main Stream	50Hz: 6MP(1~20fps) /4MP/1080P (1~25fps) 60Hz: 6MP(1~20fps) /4MP/1080P (1~30fps)
	Sub Stream	720P/D1/VGA/CIF (60Hz: 1~30fps; 50Hz: 1~25fps)
	Third Stream	D1/480× 240/CIF (60Hz: 1~30fps; 50Hz: 1~25fps)
Operational Features	Wide Dynamic Range (WDR)	120dB
	BLC	Supported
	ROI	Each ROI to be configured separately
	HLC	Supported
	DNR	Inbuilt 3D DNR (Digital Noise Reduction) circuit
	Codec Streaming Capability	Triple streaming
	Image Settings	ROI, Saturation, Brightness, Hue, Contrast, Wide Dynamic, Sharpness, Image Flip, Image Mirror, NR, etc. adjustable through client software or web browser
	Smart Alarm	Motion detection, SMD, SD card full, SD card error
	Onboard Storage	Built-in micro SD card slot, up to 256GB
	General Function	Watermark, IP address filtering, video mask, heartbeat, system config backup, smart supplement light, corridor pattern
	Security	Video encryption, firmware encryption, configuration encryption, illegal login lock, IP address filtering, 802.1x authentication, basic and digest authentication for HTTP
Network & Remote Monitoring	Protocols	UDP, IPv4, IPv6, DHCP, NTP, RTSP, RTP, RTCP, RTMP, PPPoE, DDNS, SMTP, FTP, 802.1x, SNMP, UPnP, HTTP, HTTPS, HTTP POST, P2P, QoS
	System Compatibility	ONVIF
	CMS	Full function CMS ( Central monitoring software)
	Mobile Client Application	Supports android and iOS APP for Smart phone and tablets
	Bandwidth Control	VBR (Automatic) and CBR (Manual) supported
	Online Connection	Support simultaneous monitoring for up to 6 users; Support multi-stream real time transmission
	Web Browser	IE (plug-in required)/Google Chrome/Edge/Firefox/Safari

## TECHNICAL SPECIFICATIONS

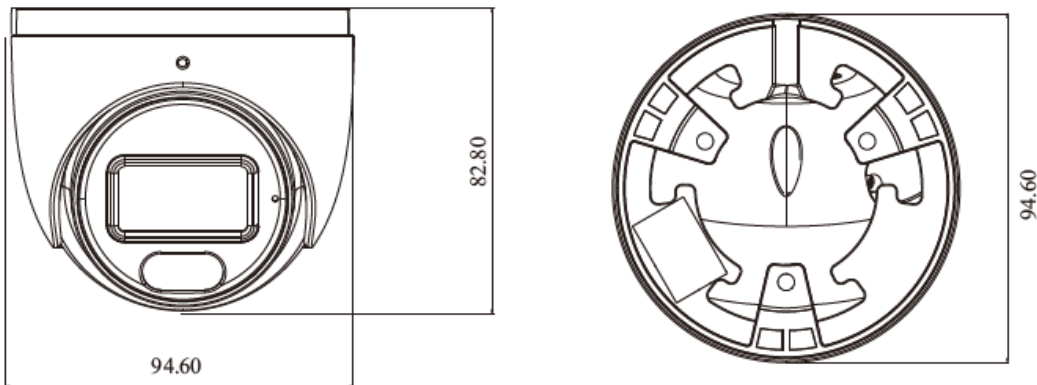
# VV-NC91846D-AF3WLIRT1

Analytics Feature	Smart Features	Video Exception (scene change, video blur and abnormal color detection), line crossing /region intrusion detection(human/motor vehicle/non-motor vehicle classification), abandoned/missing object detection
Interface	Ethernet	1 RJ45 10 Ethernet port
	Power Input	Standard DC Jack
	Audio	1CH audio input; 1CH built-in MIC
	Reset	Supported
Electrical	Power Requirement	DC12V/PoE (IEEE802.3af)
	Power Consumption	Max. <6.5W
Environmental	Enclosure	IP67 Weather proof outdoor enclosure
	Operating Temperature	-30°C to + 60°C
	Storage Temperature	-30°C to + 65°C
	Operating Humidity	95% or less (non-condensing)
Mechanical	Color	White
	Dimensions	Φ 94.6 × 82.8
	Weight	Approx. 0.45KG
Certifications	Certifications	CE, FCC, RoHS

\*Exact products and specifications shown may vary by geographic region and are subject to change without notice. Product image, weights and measurements are approximate and may vary due to customized solutions & products being offered as per customer requirements.

## DIMENSIONS

Unit: mm



## VANTAGE INTEGRATED SECURITY SOLUTIONS LIMITED

B3, Bredon House 321, Tenttenhall Road Tettenhall, Wolverhampton

West Midlands, WV6 0JZ United Kingdom

Ph:+44-1902793383, Email: sales@vantagesecurity.com

[www.vantagesecurity.com](http://www.vantagesecurity.com)

(AN ISO 9001 : 2008, ISO14001 : 2004 CERTIFIED COMPANY)

