

# ULTRA HIGH DEFINITION 8MP IP DOME CAMERA

## VV-NC91848D-AZWLIRT1 Dual Illumination AI Network Camera



### FEATURES

Ultra High Definition 8MP( 3840 × 2160) resolution

1/1.8" Progressive Scan CMOS Sensor

30 ~ 40m IR or white light range

High performance IR Cut mechanical filter for True Day & Night vision

Inbuilt 120dB WDR, 3D DNR, HLC, BLC, Defog & ROI functions

Support triple streams

Inbuilt Smart Analytics Supported

IP66 Weather proof outdoor enclosure



## TECHNICAL SPECIFICATIONS

### VV-NC91848D-AZWLIRT1

Camera	Image Sensor	1/1.8" Progressive Scan CMOS Sensor
	Signal System	PAL/NTSC
	Effective Pixels	3840 (H) × 2160 (V)
	Minimum Illumination	Color : 0.006 lux @F1.4, AGC ON: 0 lux with IR
	Electronic Shutter Speed	1 / 2s ~ 1 / 100000 s
	Gain Control	Auto
	Signal to Noise	> 50 dB
	Iris	DC
Lens	Lens Type	2.8~12mm motorized zoom lens
	Lens Mount	Φ14
	Focus	Motorized
	Field of View	Horizontal: 113°~46°; Vertical: 59°~26°; Diagonal: 136°~54°
	Angle Adjustment	Pan: 0°~360°; Tilt:0°~75°; Rotation: 0°~360°
Day/Night Functionality	Day & Night	True Day & Night with ICR
	IR Cut	High performance Mechanical IR Cut Filter with auto switch
	IR Source	Inbuilt Smart IR LEDs with intensity control
	IR & White light Range	30 ~ 40 mtr
Compression	Video Compression	H.265+ / H.265 / H.264+ / H.264 / MJPEG
	H.264 codec profile	Baseline Profile/Main Profile/High Profile
	Audio Compression	G711A / U
	Video Bit Rate	64Kbps ~ 12Mbps
Resolution and Frame Rate	Max. Resolution	3840x2160
	Main Stream	60Hz : 30fps 8MP/6MP/5MP/4MP/2K/3MP/1080P/720P 50Hz : 25fps 8MP/6MP/5MP/4MP/2K/3MP/1080P/720P
	Sub Stream	60Hz : D1/CIF/480x240 (1~30fps); 50HZ: D1/CIF/480x240 (1~25fps)
	Third Stream	60Hz : D1/CIF/480x240 (1~30fps); 50HZ: D1/CIF/480x240 (1~25fps)
Operational Features	Wide Dynamic Range (WDR)	120dB
	Defog	Supported
	BLC	Supported
	ROI	Each ROI to be configured separately
	HLC	Supported
	DNR	Inbuilt 2D/3D DNR (Digital Noise Reduction) circuit
	Codec Streaming Capability	Triple streaming
	Image Settings	ROI, Saturation, Brightness, Hue, Contrast, Wide Dynamic, Sharpness, Image Flip, Image Mirror, NR, etc. adjustable through client software or web browser
	Alarm Trigger	Motion detection, sensor alarm, SD card error, SD card full, IP address conflict, Cable connection
	Onboard Storage	Built-in Micro SD/SDHC/SDXC slot, up to 256 GB
	Security	Video encryption, firmware encryption, HTTPs encryption, configuration encryption, illegal login lock, IP address filtering, 802.1x authentication, basic and digest authentication for HTTP/HTTPS
	General Function	Watermark, IP address filtering, video mask, heartbeat, password protection, image distortion correction
Network & Remote Monitoring	Protocols	UDP, IPv4, IPv6, DHCP, NTP, RTSP, RTP, RTCP, PPPoE, DDNS, SMTP, FTP, SNMP,HTTP, 802.1x, UPnP, HTTPS, QoS
	System Compatibility	ONVIF
	CMS	Full function CMS ( Central monitoring software)
	Mobile Client Application	Supports android and iOS APP for Smart phone and tablets
	Web Browser	IE11/Chrome 89.0+/Edge 89.0+/Firefox 87.0+/Safari 14.0+
	Bandwidth Control	VBR (Automatic) and CBR (Manual) supported

## TECHNICAL SPECIFICATIONS

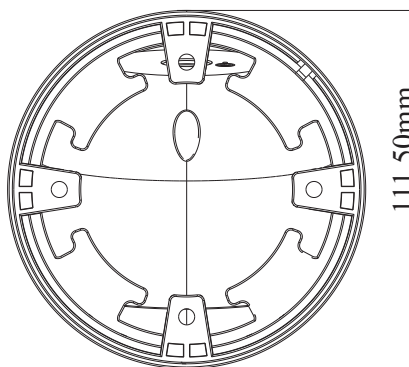
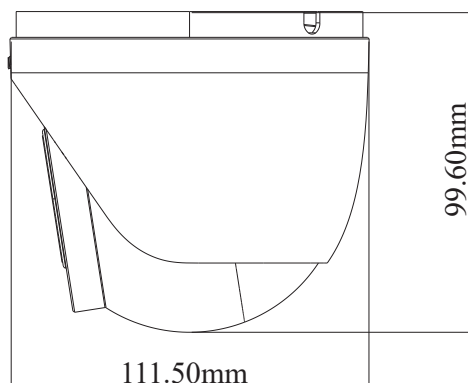
### VV-NC91848D-AZWLIRT1

Analytics Feature	Smart Features	Line crossing detection (human/vehicle classification); Region intrusion/entrance/exiting detection (human/vehicle classification)
	Video Abnormality	Scene change detection, video blur detection, abnormal color detection
	Sound&Light Warning	Supported
	Other Events	Face detection and face capture, abandoned/missing object detection; heat map; target counting by line/area, heat map
Interface	Ethernet	1 RJ45 10/100 self-adaptive ethernet port
	Power Input	Standard DC Jack
	Audio	1CH audio input; 1CH built-in speaker, 1CH built-in microphone
	Alarm	1CH alarm input; 1CH alarm output
Electrical	Power Requirement	12 VDC/ PoE (IEEE802.3af)
	Power Consumption	Max. <12.5 W
Environmental	Enclosure	IP66 Weather proof outdoor enclosure
	Mounting bracket	Integrated mounting bracket with cable management
	Operating Temperature	-30°C to + 60°C
	Storage Temperature	-30°C to + 65°C
	Operating Humidity	95% or less (non-condensing)
Mechanical	Color	White
	Dimensions	Ø111.5 × 99.6mm
	Weight	Approx. 0.64KG
Certifications	Certifications	CE, FCC, RoHS

\*Exact products and specifications shown may vary by geographic region and are subject to change without notice. Product image, weights and measurements are approximate and may vary due to customized solutions & products being offered as per customer requirements.

## DIMENSIONS

Unit: mm



## VANTAGE INTEGRATED SECURITY SOLUTIONS LIMITED

B3, Bredon House 321, Tenttenhall Road Tettenhall, Wolverhampton

West Midlands, WV6 0JZ United Kingdom

Ph:+44-1902793383, Email: sales@vantagesecurity.com

[www.vantagesecurity.com](http://www.vantagesecurity.com)

(AN ISO 9001 : 2008, ISO14001 : 2004 CERTIFIED COMPANY)

