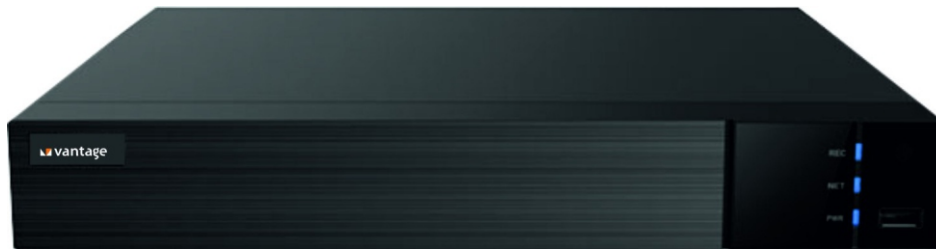


HIGH PERFORMANCE

H.265 NETWORK VIDEO RECORDER

VV-NV3508-K1ST1

8 CHANNEL NVR



FEATURES

ONVIF Supported

Up to 8 Megapixels Resolution Display and Recording

H.265+ video compression technology with real time encoding

Full function CMS (Central monitoring software) supported

Pentaplex : preview, record, playback, backup and remote access

1 x Gigabit (10/100/1000) network port

Dual streaming technology to encode recording stream and network stream separately

Supports remote monitoring on Mobile Client (Android, IOS) and IE

Multi-type recording: manual / timed / motion / sensor / POS / AI recording



TECHNICAL SPECIFICATIONS

VV-NV3508-K1ST1

System	Operating System	Embedded Linux Operating System
	Multiplex Operations	Simultaneous multi-channel real-time recording, playback, network operation, USB backup
	User interface	Support 16-bit true color graphical menu interface and mouse operation
Bandwidth	Incoming / Outgoing	80/80 Mbps
Interface	IP Video Input	8-ch
	VGA Video Output	1920x1080/1280x1024/1024x 768
	HDMI 1	3840 x 2160 / 1920 x 1080 / 1280 x 1024/ 1024 x 768
	Two-Way Audio	RCA x 1
	Alarm Input / Output	Supports IPC alarm input/output
	Network	1 x Gigabit (10/100/1000) ethernet port (RJ45)
	Audio Output	RCA x 1
	USB	USB 2.0 x 2
	Multi-screen Display	1/4 /6/8/9
Resolution & Frame Rate	Recording Resolution	8MP/6MP/5MP/4MP/3MP/1080P/1280x1024/960P/720P/960H/D1/CIF
	Frame Rate	Main stream: 25 fps (P) / 30 fps (N) Sub stream: 25 fps(P) / 30 fps (N)
	Playback Resolution	8MP/6MP/5MP/4MP/3MP/1080P/1280x1024/960P/720P/960H/D1/CIF
	Max playback capability	Max 8ch playback
	Live View/ Playback	1CH 8MP/4CH 1080P
Compression	Video Compression	H.265S / H.265+ /H.265 /H.264
	Audio Compression	G.711(U/A)
Network & Remote Monitoring	Protocols	TCP / IP, IPv4, IPv6, UDP, PPPoE, DHCP, DNS, DDNS, UPnP, NTP,HTTP, SMTP, HTTPS, 802.1x, RTSP, RTP, RTCP, FTP, WebSocket,SNMP, IGMP, ONVIF
	DDNS	Supported; Dynamic and Static IP with QR Code support
	CMS	Full function CMS (Central Monitoring Software)
	Mobile Client Application	Supports android and iOS APP for Smart phone and tablets
	Bandwidth control	VBR/CBR
	Client Connection	Max. 64 users access
Features	Security	Password Protection, User Management
	Playback Function	Play, pause, FF, FB, digital zoom, etc
	Playback Search	Time slice / time / event / tag search
	Smart Search	Highlighted color to display the camera record in a certain period of time, different colors refers to different record events
	Alarm Mode	Manual, sensor, motion, exception, smart events
	Alarm Triggering	Record, snap, preset, e-mail, etc.
	Alarm Notifications	FTP, SMTP, Email notification supported
Face	Face Detection Performance (AI by IPC)	8CH
	Face Detection Performance (AI by Device)	2 CH (2MP)
	Statistical Graph of Information	Bar graph
	Statistical Mode of Information	Statistics by day, week, month, quarter as well as customized time period
Perimeter Protection	Human/Vehicle Classification (AI by IPC)	8CH
	Human/Vehicle Classification (AI by Device)	2 CH(2MP)
Other Functions	Fisheye	Supports fisheye dewarping via Web Client and mobile APP
	Plate Detection (AI by IPC)	Yes,supported

TECHNICAL SPECIFICATIONS

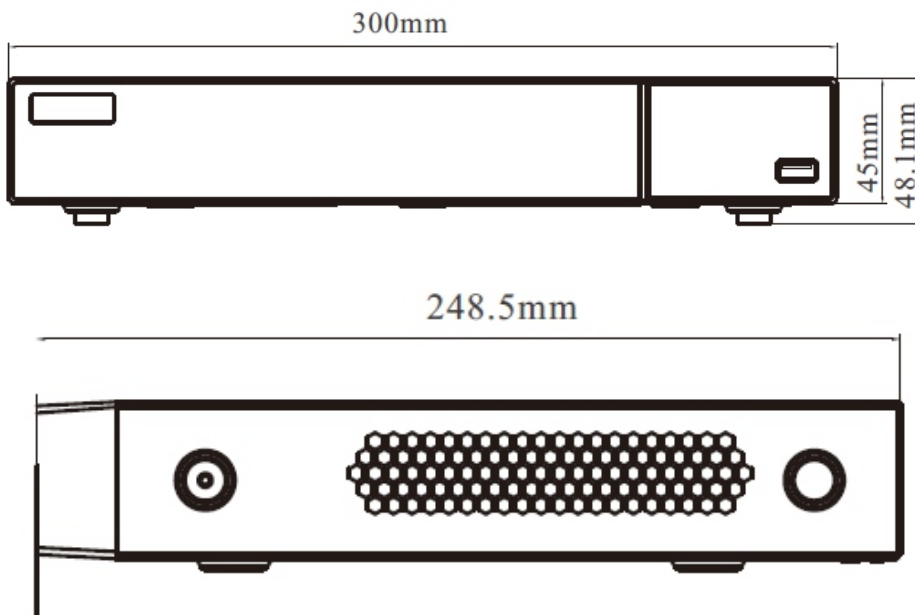
VV-NV3508-K1ST1

Recording & Storage	Record Stream	Dual stream recording
	Storage	SATA 3.0x1, up to 10TB each
	Network Backup	Supported
	Local Backup	U disk, USB mobile HDD
General	Power Supply	DC 12V/1.5A
	Power Consumption	<105W (without HDD)
	Operating temperature	-10°C to + 50°C
	Working Humidity	90% or less (non condensing)
	Dimensions	300 × 249 × 45 (W × D × H)
Certifications	Certifications	CE, FCC, RoHS

*Exact products and specifications shown may vary by geographic region and are subject to change without notice. Product image, weights and measurements are approximate and may vary.

Dimension

Unit: mm



VANTAGE INTEGRATED SECURITY SOLUTIONS LIMITED

B3, Bredon House 321, Tenttenhall Road Tettenhall, Wolverhampton

West Midlands, WV6 0JZ United Kingdom

Ph: +44-1902793383, Email: sales@vantagesecurity.com

www.vantagesecurity.com

(AN ISO 9001 : 2008, ISO14001 : 2004 CERTIFIED COMPANY)

